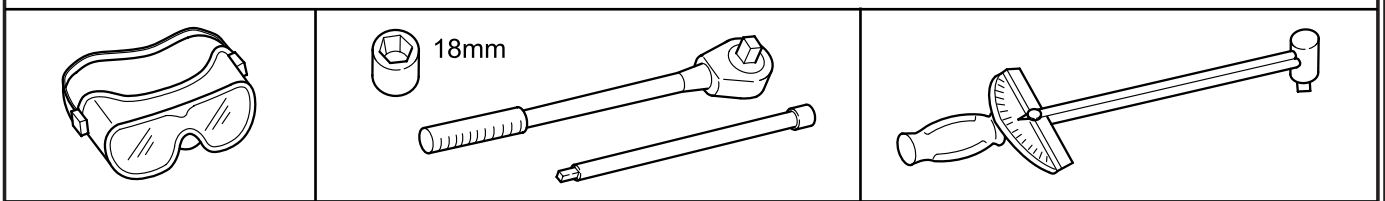
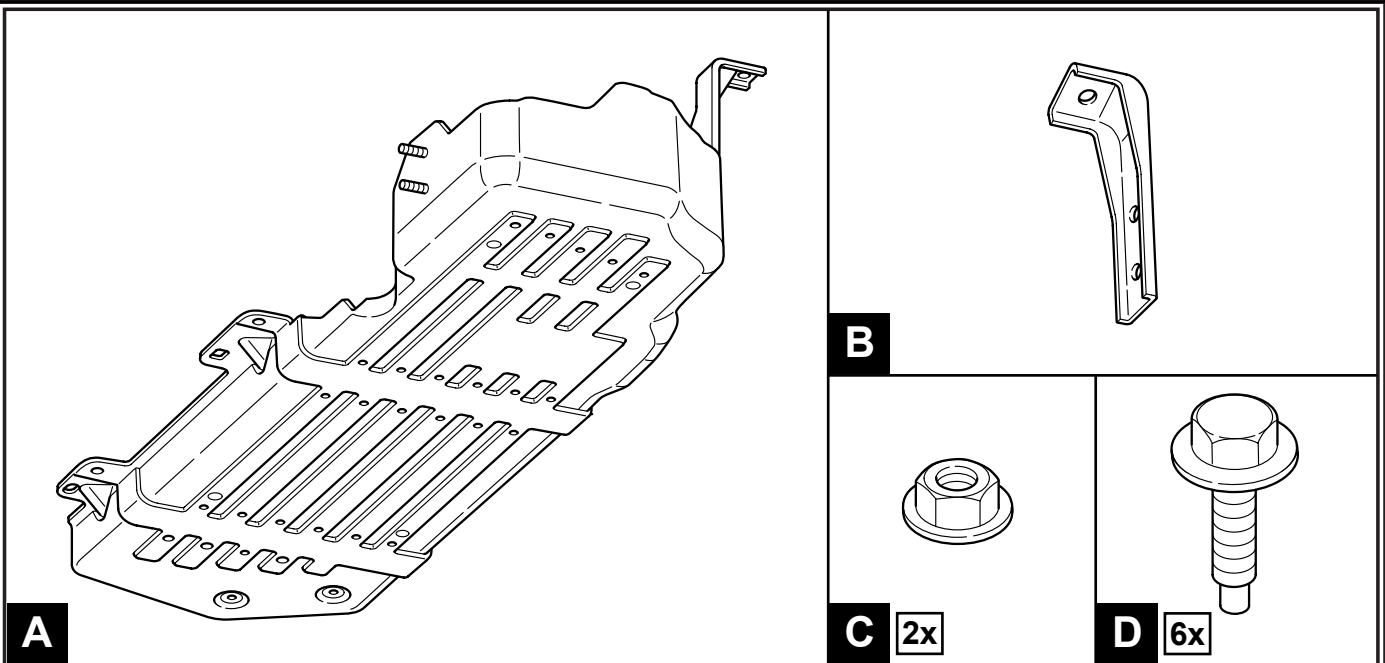




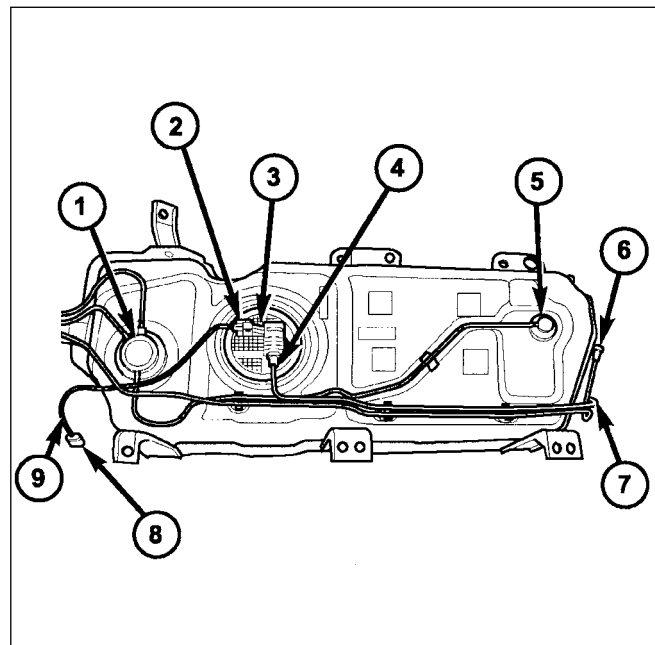
JEEP GRAND CHEROKEE

Fuel Tank Skid Plate



FUEL TANK DESCRIPTION

The fuel tank is constructed of a plastic material. Its main functions are for fuel storage and for placement of the fuel pump module (3), and (if equipped) certain EVAP and ORVR components (1) and (5).



REMOVAL

Fuel Tank Draining

WARNING: THE FUEL SYSTEM MAY BE UNDER CONSTANT FUEL PRESSURE EVEN WITH THE ENGINE OFF. THIS PRESSURE MUST BE RELEASED BEFORE SERVICING FUEL TANK.

Two different procedures may be used to drain fuel tank: through the fuel fitting on tank, or using a diagnostic scan tool.

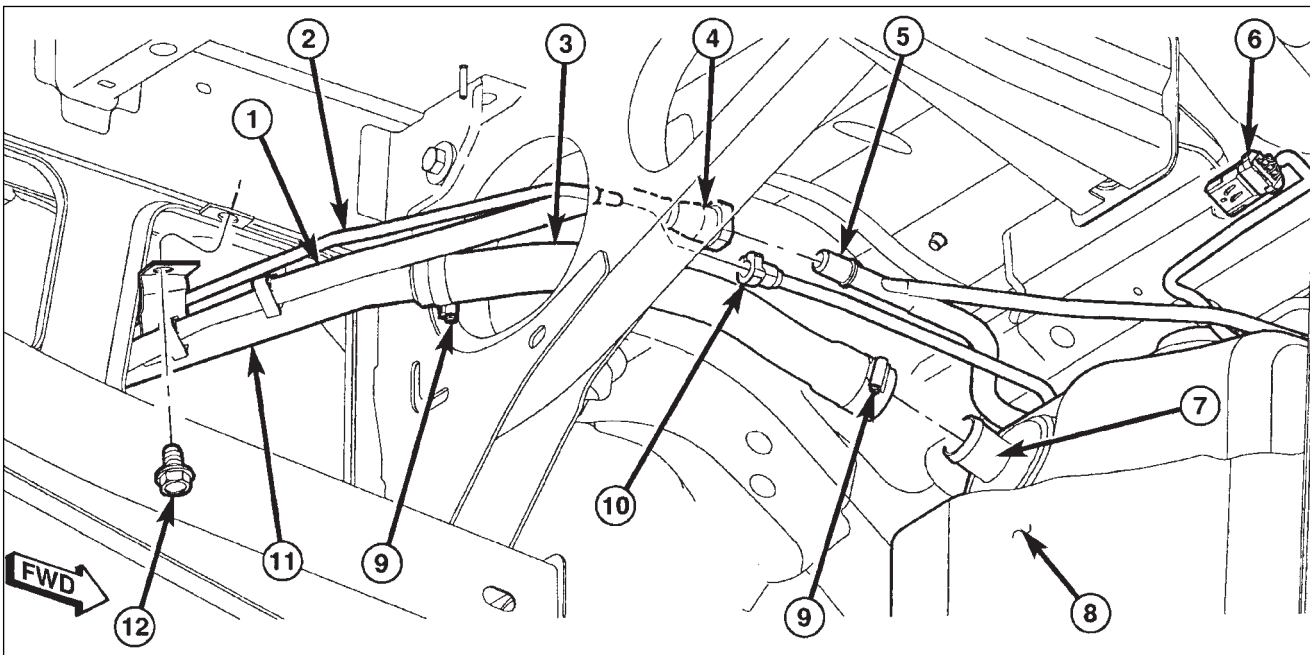
The quickest draining procedure involves removing the rubber fuel hose (3) from fuel tank fitting (7).

As an alternative procedure, the electric fuel pump may be activated allowing tank to be drained at fuel rail connection. Refer to scan tool for fuel pump activation procedures. Before disconnecting fuel line at fuel rail, release fuel pressure. Refer to the Fuel System Pressure Release Procedure for procedures. Attach end of special test hose tool number 6541, 6539, 6631 or 6923 at fuel rail disconnection (tool number will depend on model and/or engine application). Position opposite end of this hose to an approved gasoline draining station. Activate fuel pump and drain tank until empty.

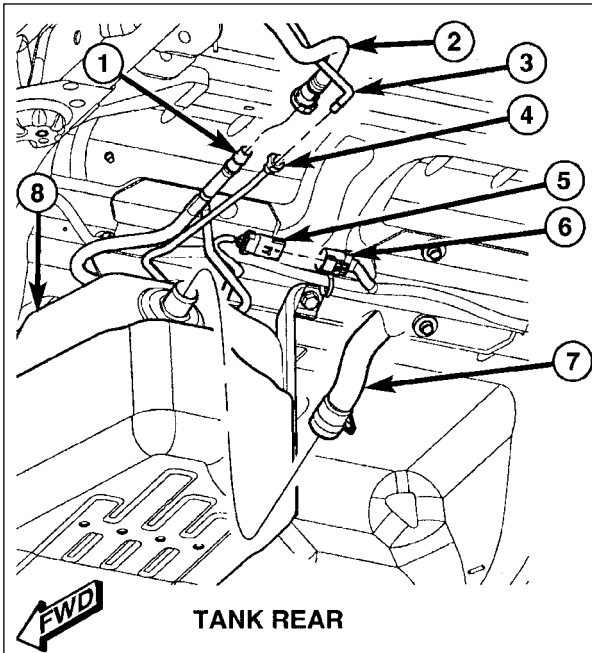
If electric fuel pump is not operating, fuel must be drained through fuel fitting at tank. Refer to following procedures.

1. Release fuel system pressure.
2. Raise vehicle.
3. Thoroughly clean area around fuel fitting (7) and rubber fuel hose (3) at rear of fuel tank (8).
4. Loosen clamp (9) at tank fitting (7) and disconnect rubber fuel fill hose at fuel tank fitting. Using an approved gas holding tank, drain fuel tank through this fitting.

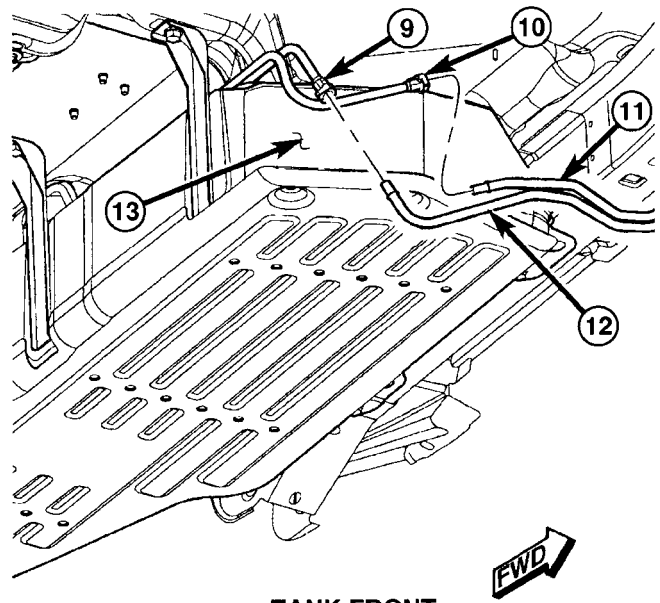
Tank Removal



1. Loosen clamp (9) and disconnect rubber fill hose (3) at tank fitting (7).

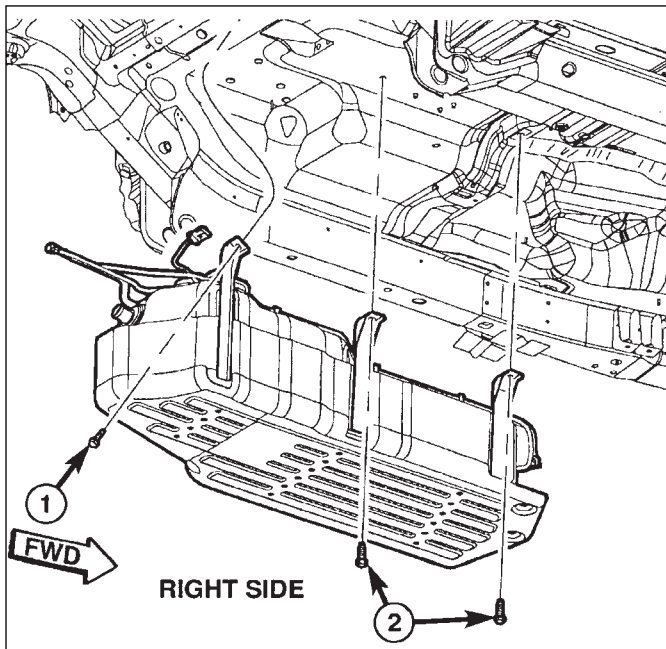


TANK REAR

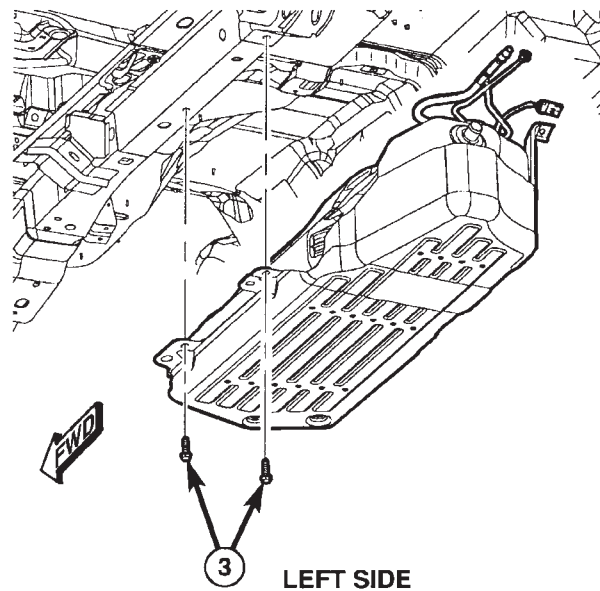


TANK FRONT

2. At rear of tank, disconnect fuel pump module electrical jumper connector (5) from body connector (6).
3. At rear of tank, disconnect EVAP lines (2) and (3) from lines (1) and (4).
4. At front of tank, disconnect fuel and EVAP lines (9) and (10) from lines (11) and (12).
5. Support tank with a hydraulic jack.



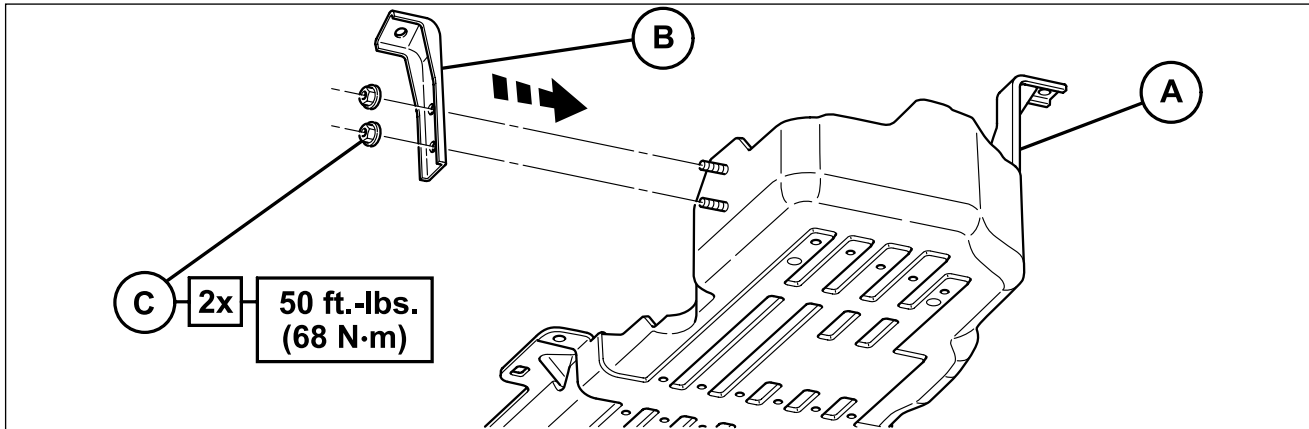
RIGHT SIDE



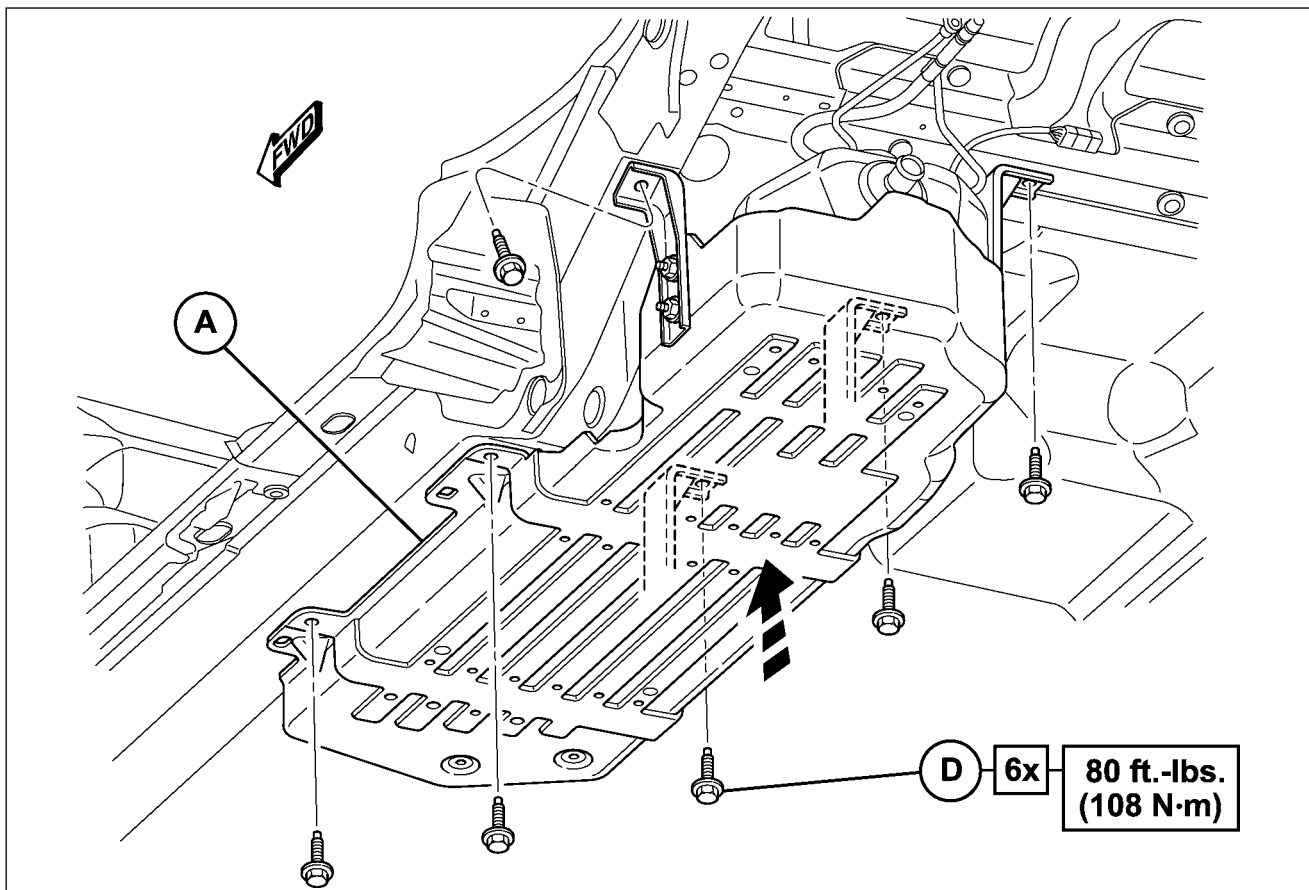
LEFT SIDE

6. Remove and discard bolts (1) and (2) at right side of fuel tank.
7. Remove and discard bolts (3) at left side of fuel tank.
8. Lower tank for removal.
9. Separate fuel tank from skid plate and discard the skid plate.

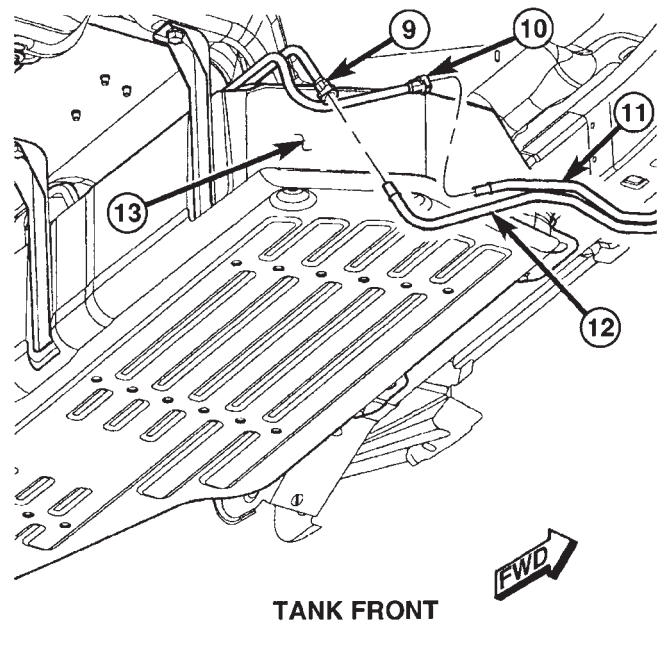
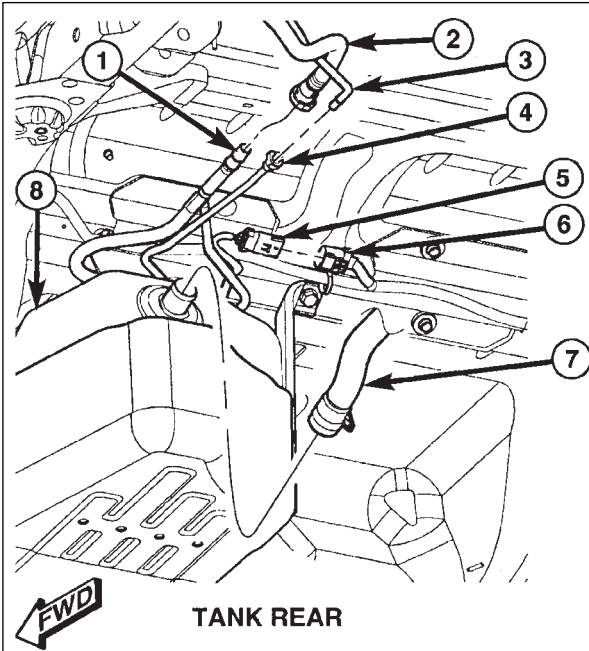
INSTALLATION



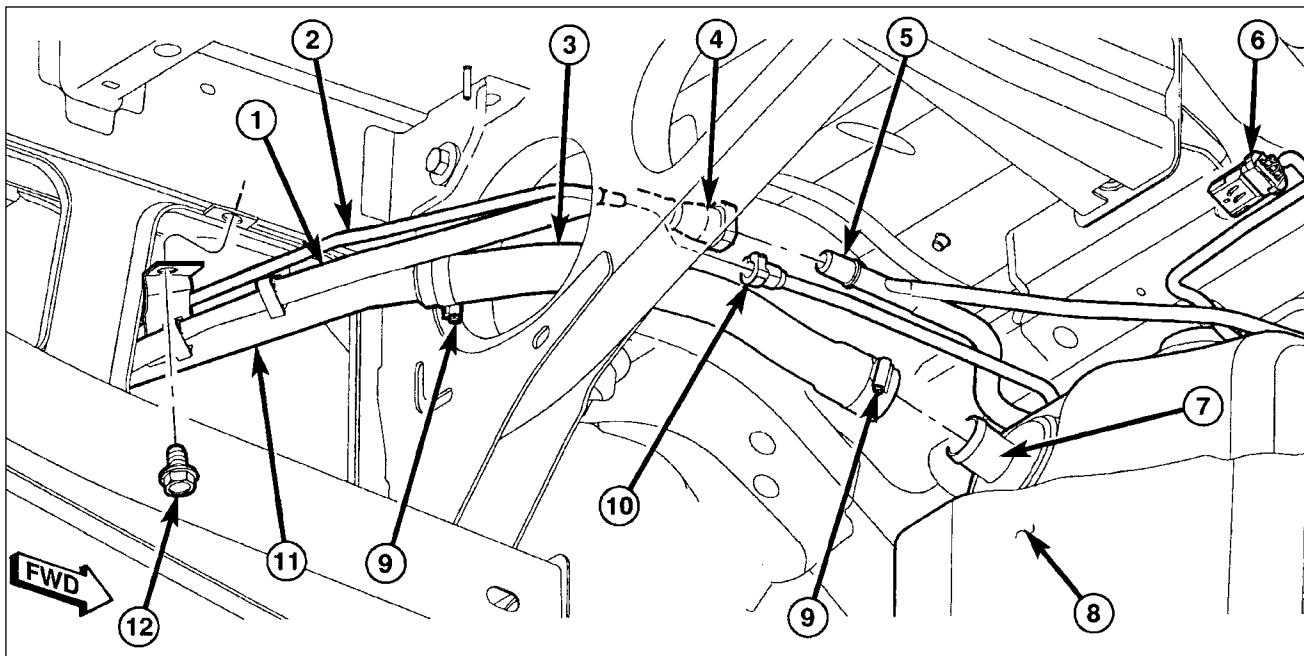
1. Install left rear mounting bracket (B) to fuel tank skid plate (A) with hex flange nuts (C). Tighten as shown.



2. Seat fuel tank into skid plate (A).
3. Position fuel tank to hydraulic jack.
4. Raise tank until positioned to body.
5. Install and tighten bolts (D) as shown.
6. Remove hydraulic jack.



7. Connect EVAP, ORVR, fuel and NVLD lines at front and rear of fuel tank.
8. Connect fuel pump module electrical jumper connector (5) to body connector (6).



9. Connect rubber fill hose (3) to tank fitting (7) and tighten clamp (9).
10. Lower vehicle.
11. Fill fuel tank with fuel.
12. Start engine and check for fuel leaks near top of module.