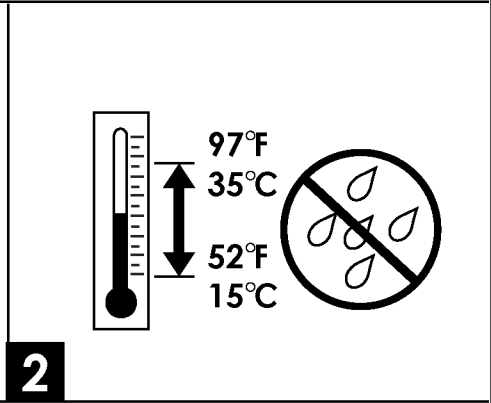
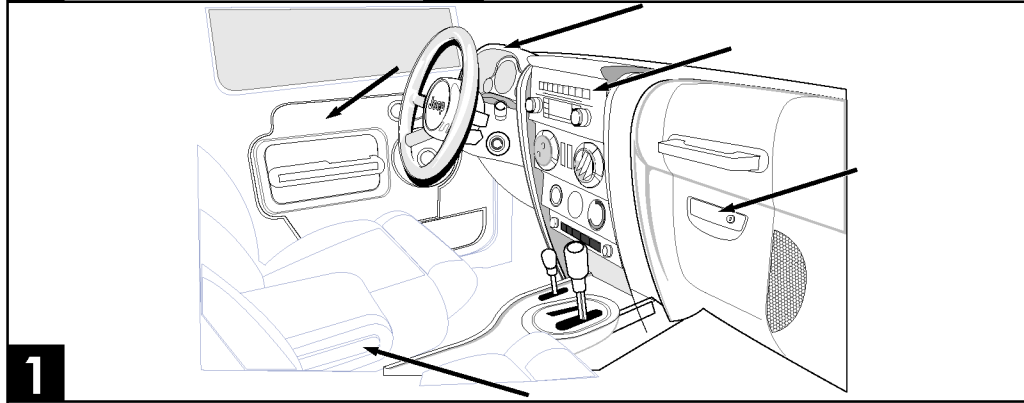
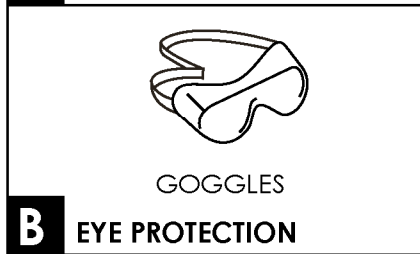
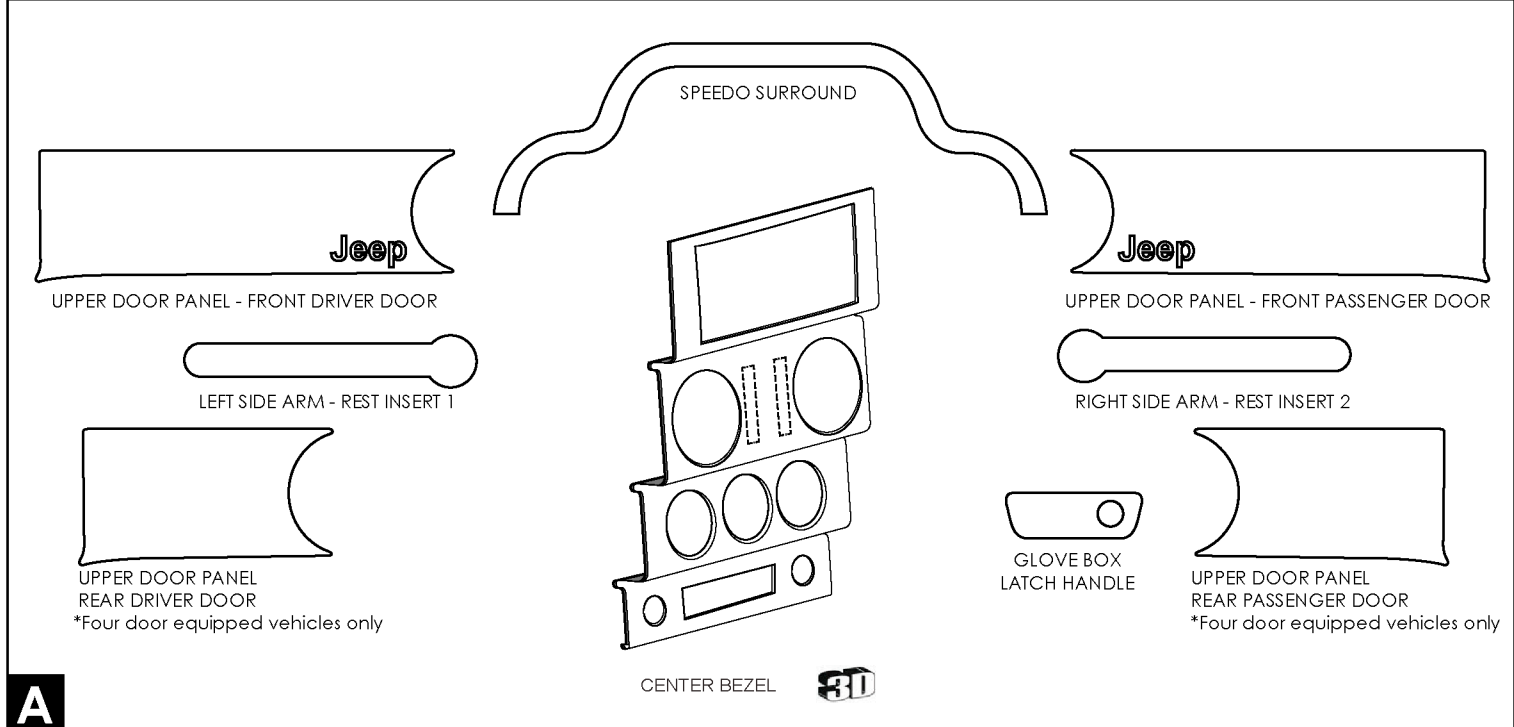




JEEP WRANGLER INTERIOR TRIM APPLIQUÉS



APPLICATION:

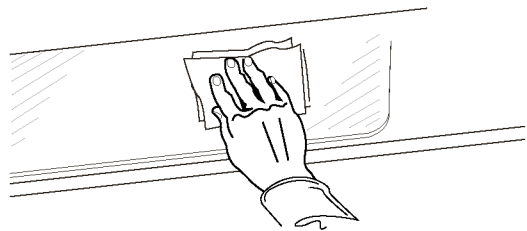
- Clean areas to be covered with interior trim using Isopropyl Alcohol Swab & allow to dry for 2 minutes.
- When cleaning, constantly use a new section of towel as you move from area to area.
- **Warning:** Cleaning solvents may cause discoloration to vinyl. Be careful to clean only those areas which will be covered by interior trim kit.

IMPORTANT NOTICE

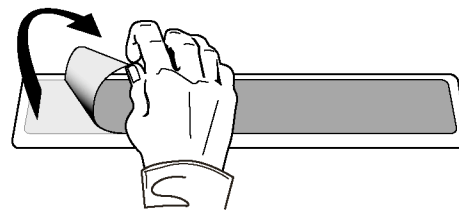
Prior to installation, check the entire kit for possible damage or defects. If damage is found, contact Vendor for a replacement.

DO NOT INSTALL ANY PARTS. YOU MUST RETURN THE COMPLETE KIT IF YOU WISH TO MAKE A WARRANTY CLAIM.

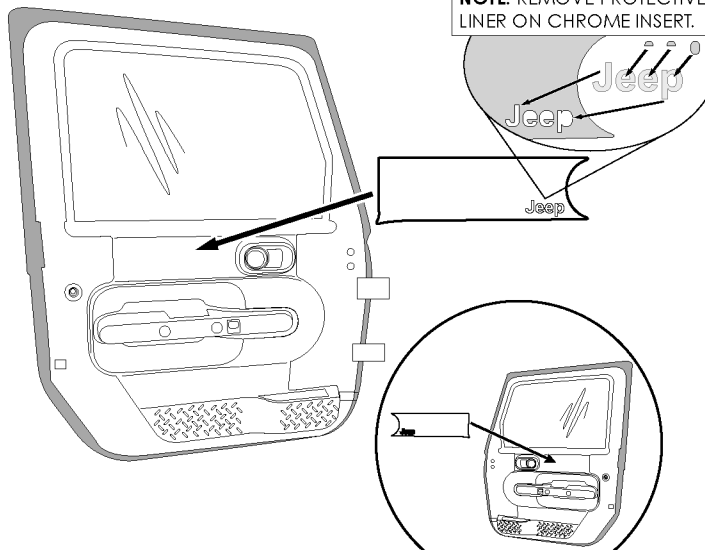
3



4 CLEAN ALL APPLICABLE SURFACES

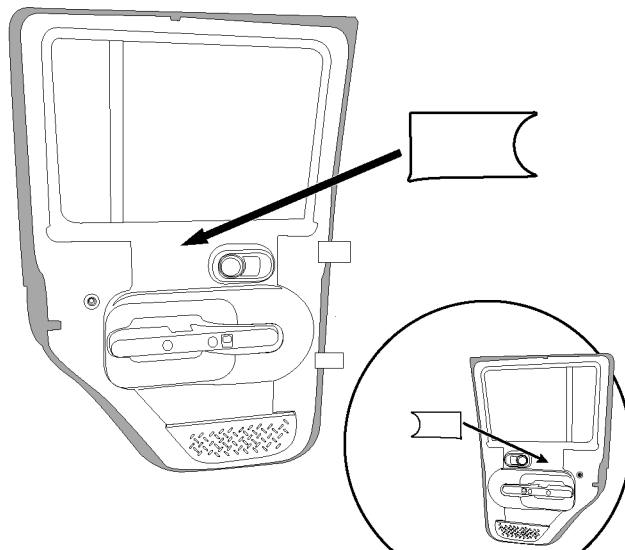


5 REMOVE TAPE LINER PRIOR TO APPLICATION



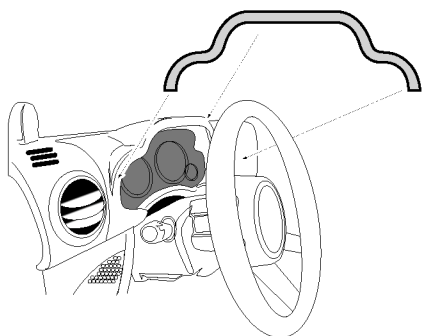
6 FRONT DRIVER DOOR

REPEAT OTHER SIDE

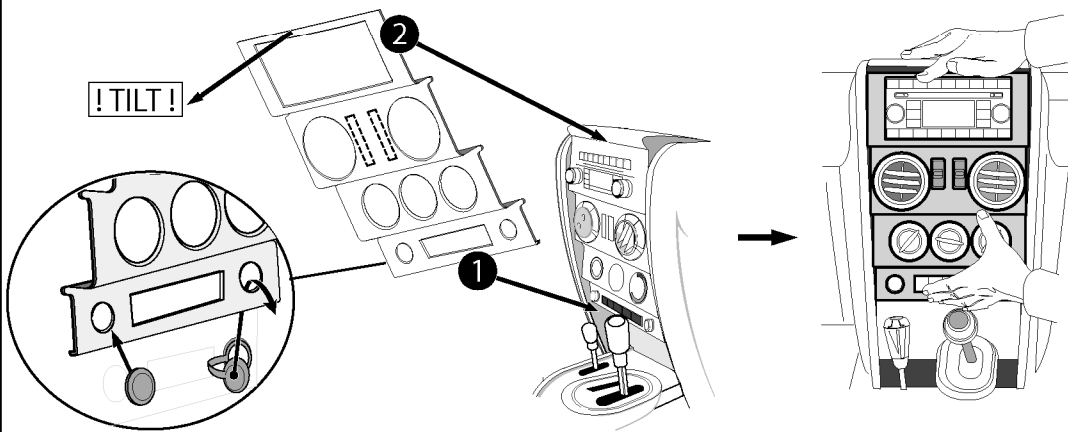


7 REAR DRIVER DOOR

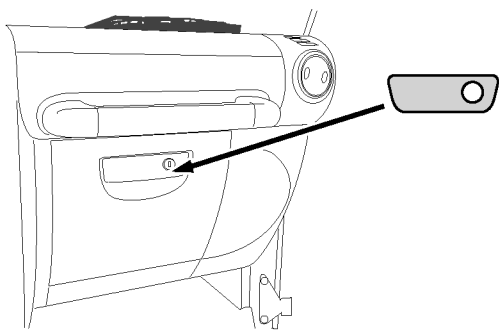
REPEAT OTHER SIDE



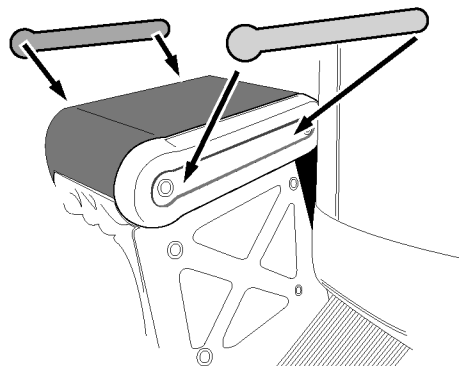
8 SPEEDO SURROUND



9 CENTER CONSOLE



10 GLOVE BOX LATCH HANDLE



11 CENTER ARM REST