



# Installation Instructions TrekStep Side-Mount™




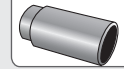
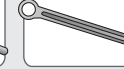


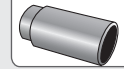
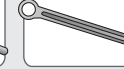


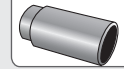
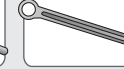

## Vehicle Application

•Ford F250 / 350 / 450 Super Duty  
Driver's Side Only  
Fits 6.8' and 8' Beds  
1999 – Current  
Part Number: 75403-15

•Ford F250 / 350 / 450 Super Duty  
Passenger Side Only  
Fits 6.8' and 8' Beds  
1999 – Current  
Part Number: 75404-15

Note: Driver's Side Installation shown. Passenger side uses the same steps to install.

[www.bestop.com](http://www.bestop.com) - We're here to help! Visit our web site and click on "Ask a Question". Click here for more [Truck Accessories by Bestop](#).

<p><b>INSTALLATION TIME</b></p>  <p><b>1/2 Hour</b></p>	<p><b>SKILL LEVEL</b></p> <p>1 2 3 4</p> <p><b>1 - Easy</b></p>					
<p><b>TOOLS</b></p> <table border="0"> <tr> <td data-bbox="205 773 327 873"> <p>Ratchet</p>  </td> <td data-bbox="340 773 462 873"> <p>Extension</p>  </td> <td data-bbox="474 773 596 873"> <p>Socket</p>  <p>18 mm, 13 mm, 3/8"</p> </td> <td data-bbox="609 773 730 873"> <p>Allen Wrench</p>  <p>8 mm, 3/16"</p> </td> <td data-bbox="743 773 865 873"> <p>Wrench</p>  <p>13 mm</p> </td> </tr> </table>		<p>Ratchet</p> 	<p>Extension</p> 	<p>Socket</p>  <p>18 mm, 13 mm, 3/8"</p>	<p>Allen Wrench</p>  <p>8 mm, 3/16"</p>	<p>Wrench</p>  <p>13 mm</p>
<p>Ratchet</p> 	<p>Extension</p> 	<p>Socket</p>  <p>18 mm, 13 mm, 3/8"</p>	<p>Allen Wrench</p>  <p>8 mm, 3/16"</p>	<p>Wrench</p>  <p>13 mm</p>		
<p><b>Safety Glasses</b></p> 						



**! WARNING** Do not rely in any way on the components of this product to protect against injury or death in the event of an accident. Never operate the vehicle in excess of manufacturer's specifications.

### WEAR SEAT BELTS AT ALL TIMES

Read and follow, precisely, all installation instructions provided when installing product. Failure to do so may result in a poor fit and could place occupants of the vehicle in a potentially dangerous situation.

# TrekStep Side-Mount™ – Installation Instructions

## Parts List and Hardware Identification

Left End Cap, Part Number 460.83, Qty - 1

Running Board Assembly, Part Number 476.24, Qty - 1

T-Nut Insert, Part Number 460.84, Qty - 2

M6 Nut Plate, Part Number 460.86, Qty - 2

M8-1.25 x 20mm Hex Head Screw, Part Number 460.96, Qty - 2

Top Mounting Bracket, Part Number 486.60, Qty - 1

M6-1.0 x 10mm Socket Cap Screw, Part Number 460.85, Qty - 2

Right End Cap, Part Number 460.82, Qty - 1

M10-1.25 Nylock Nut, Part Number 484.92, Qty - 3

M8-1.25 Nylock Nut, Part Number 470.06, Qty - 3

Linkage Assembly, Part Number 484.89, Qty - 1

Mounting Bracket - Passenger Side, Part Number 486.25, Qty - 1 (1 Bracket per Kit)

M10 Split Lock Washer, Part Number 481.59, Qty - 2

Adjustable Side Bracket, Part Number 485.61, Qty - 2

.5ml Tube Red Loctite, Qty - 1, Part Number 309.83

M8 x 30mm Set Screw, Part Number 489.21, Qty - 1

1/4" Spacer, Part Number 487.64, Qty - 2

Locking Block, Part Number 489.23, Qty - 1

Mounting Bracket - Driver Side, Part Number 486.26, Qty - 1 (1 Bracket per Kit)

M10-1.5 Hex Nut, Part Number 487.68, Qty - 1

M8 Flat Washer, Part Number 484.93, Qty - 1

M10 Flat Washer, Part Number 473.20, Qty - 2

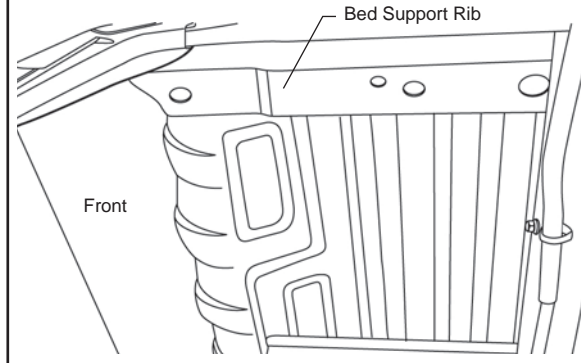
M6-1.0 x 20 Socket Cap Screw, Part Number 470.00, Qty - 4

M10-1.5 x 45mm Hex Head Screw, Part Number 485.38, Qty - 2

**NOTE** Apply Loctite to all fasteners before installing.

### 1 Locate Bed Support Rib

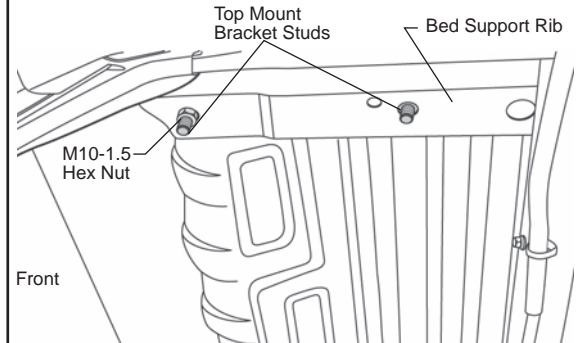
Locate the bed support rib closest to the cab under the truck bed.



### 2 Install Top Mount Bracket

Slide the Top Mount Bracket into the rib and drop the studs through the two (2) holes. Make sure to use the large hole for the inside stud.

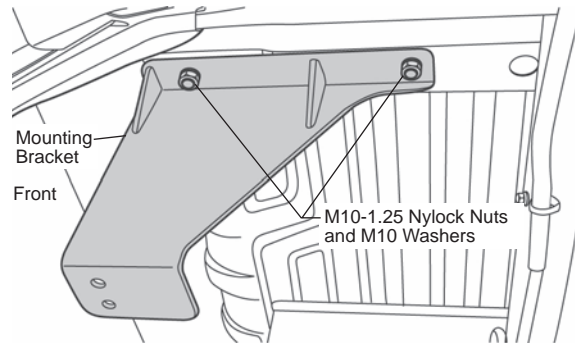
Install the M10-1.5 Hex Nut over the outboard stud.



# TrekStep Side-Mount™ – Installation Instructions

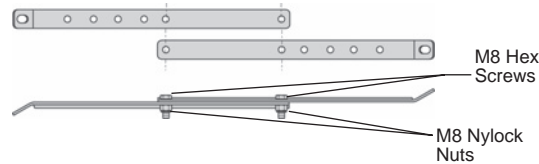
## 3 Install Mounting Bracket

Align the holes in the Mounting Bracket with the studs on the Top Mount Bracket. Use the M10-1.25 Nylock Nuts and M10 Washers to secure the Mounting Bracket to the Top Mount Bracket.



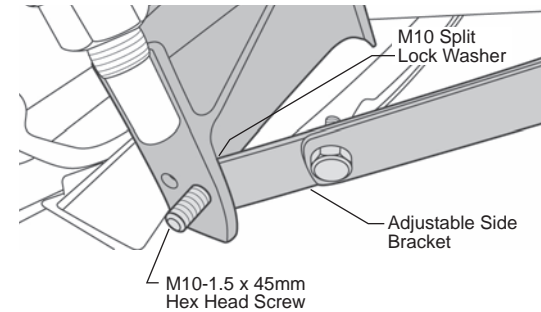
## 4 Assemble Adjustable Side Brackets

Line up the holes of the two (2) Adjustable Side Brackets as shown. Secure them with two (2) M8-1.25 x 20mm Hex Head Screws and M8-1.25 Nylock Nuts. Leave the nuts loose to adjust as necessary to fit your vehicle.



## 5 Secure Side Bracket to Mounting Bracket

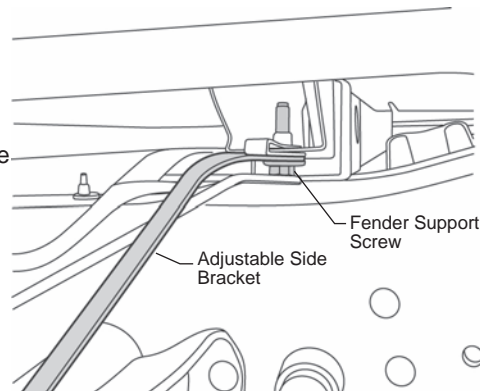
Thread an M10-1.5 x 45mm Hex Head Screw with an M10 Split Lock Washer through the Adjustable Side Bracket and the rear hole on the Mounting Bracket.



### 6.8' Beds Only

## 6 Secure Side Bracket to Body

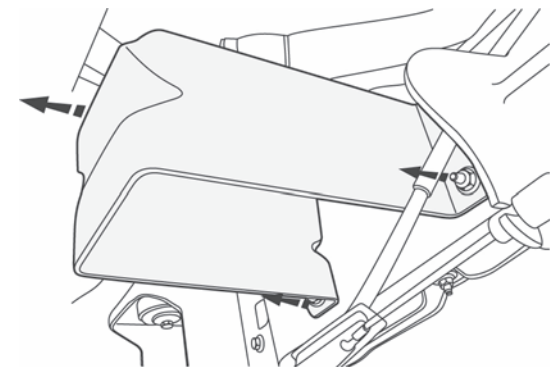
Locate the bed support rib that is near the rear tire. Remove the fender support screw. Adjust the Side Bracket so that it lines up with the hole in the rib. Use the fender support screw to secure the Side Bracket to the rib. Tighten the M8-1.25 x 20mm Hex Head Screws on the Side Bracket.



### Driver's Side - 8' Beds Only

## 7 Remove "U"-Bracket

On some models there is a large "U"-Bracket that must be removed before continuing with the Side Bracket installation.



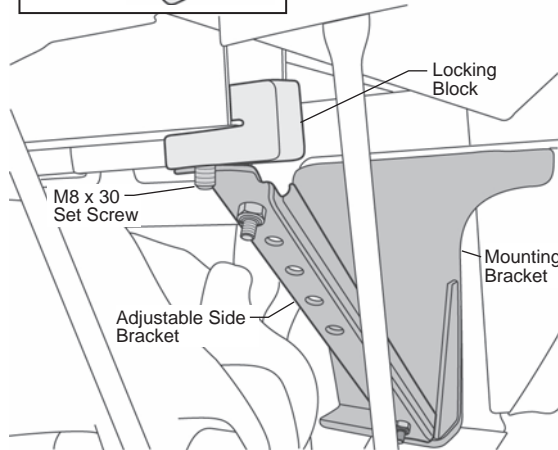
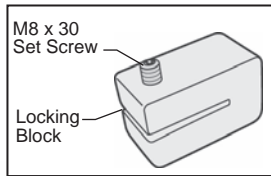
# TrekStep Side-Mount™ – Installation Instructions

## 8' Beds Only

### 8 Install Locking Block

Thread the M8 x 30 Set Screw into the hole in the Locking Block.

Slip the Locking Block over the end of the support rib that is above the rear tire. Tighten the Set Screw.

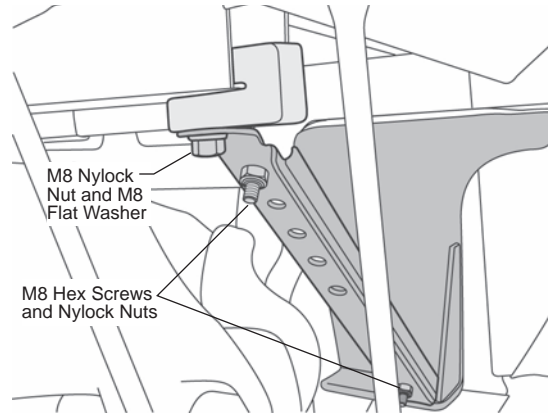


## 8' Beds Only

### 9 Secure Side Bracket to Locking Block

Adjust the Side Bracket so it fits over the end of the M8 x 30mm Set Screw. Use an M8 Flat Washer and M8 Lock Nut to secure the bracket to the Set Screw and tighten.

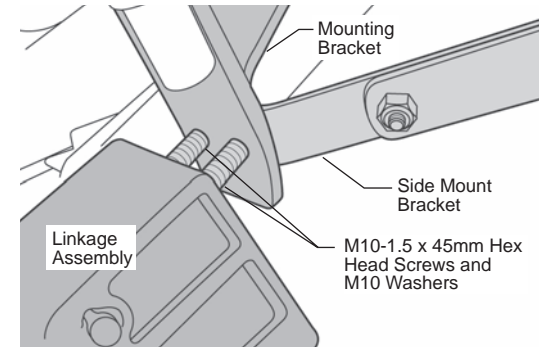
Tighten the two (2) M8-1.25 x 20mm Hex Head Screws and M8-1.25 Nylock Nuts on the Adjustable Side Bracket.



### 10 Install Linkage

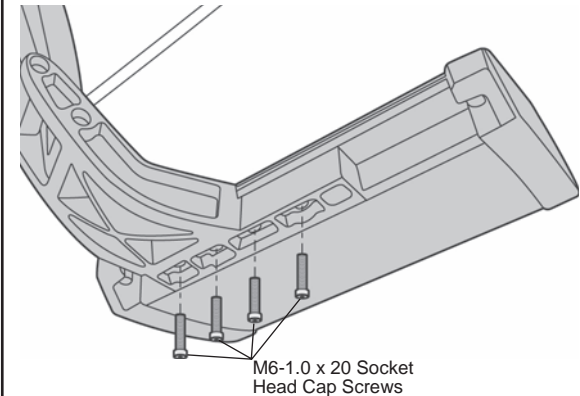
Thread an M10-1.5 x 45mm Hex Head Screw with an M10 Split Lock Washer through the inside hole on the Mounting Bracket.

Secure the Linkage to the Mounting Bracket with the M10-1.5 x 45mm Hex Head Screws.



### 11 Install Step

Use the M6-1.0 x 20 Socket Head Cap Screws to mount the Step to the Linkage Assembly.



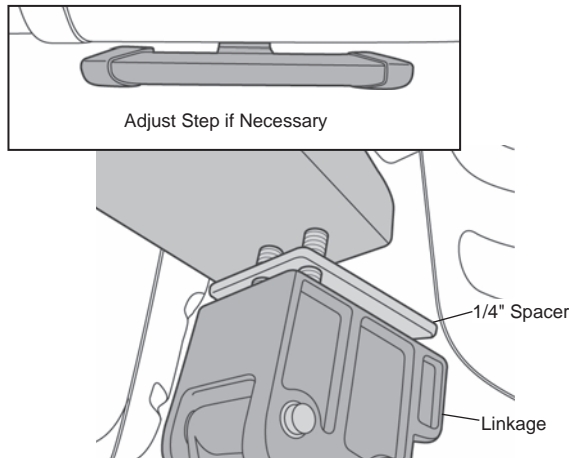
## TrekStep Side-Mount™ – Installation Instructions

### 12 Step Adjustment

Once the Step is installed on the vehicle, you may adjust it as desired.

If necessary to adjust the height, use the two (2) 1/4" Spacers provided. Remove the M10-15 x 45mm Hex Bolts installed in Step 4 and place the 1/4" Spacers between the Frame Mount and the Linkage. Reinstall the Hex Bolts.

When the Step is in the desired position tighten all nuts.



### Operation

- The TrekStep™ is foot operated and deploys and retracts with a nudge of your foot.
- To deploy, press down using your foot, on the forward outside corner of the step pad.
- To retract, gently kick the underside of the step pad.
- Max Load Capacity: 400 lbs.
- Always use appropriate hand holds when stepping up to or down from your truck's cargo bed.

### Maintenance Tips

The step pad surface and linkage arms can be washed with mild soap and water using a soft brush or sponge to dislodge any mud, dirt or accumulated road grime. Rinse with fresh water.

To prevent slipping, avoid applying waxes, lubricants or protectants like Armor All® to the step surface.

### Attention!

TrekStep™ SHOULD ALWAYS BE STOWED IN THE RETRACTED POSITION WHEN DRIVING.

## TrekStep Side-Mount™ – Installation Instructions

---

---

### LIMITED WARRANTY

We warrant our product to be free from defects in material and workmanship, for the terms specified below, provided there has been normal use and proper maintenance. This warranty applies to the original purchaser only. All remedies under this warranty are limited to the repair or replacement of any item or items found by the factory to be defective within the time period specified. If you have a warranty claim, first you must call our factory at the number below for instructions. You must retain proof of purchase and submit a copy with any items returned for warranty work. Upon completion of warranty work, if any, we will return the repaired or replaced item or items to you freight prepaid. Damage to our products caused by accidents, fire, vandalism, negligence, misinstallation, misuse, Acts of God, or by defective parts not manufactured by us, is not covered under this warranty.

THE WARRANTY TIME PERIOD IS AS FOLLOWS FOR ALL TrekSteps™ MANUFACTURED BY OUR COMPANY: THREE YEARS / 36,000 MILES FROM DATE OF PURCHASE.

ANY IMPLIED WARRANTIES OF MERCHANTABILITY AND/OR FITNESS FOR A PARTICULAR PURPOSE CREATED HEREBY ARE LIMITED IN DURATION TO THE SAME DURATION AND SCOPE AS THE EXPRESS WRITTEN WARRANTY. OUR COMPANY SHALL NOT BE LIABLE FOR ANY INCIDENTAL OR CONSEQUENTIAL DAMAGE.

Some states do not allow limitations on how long an implied warranty lasts, or the exclusion or limitation of incidental or consequential damages, so the above limitations or exclusions may not apply to you. This warranty gives you specific legal rights, and you may also have other rights which vary from state to state.



For further information or request for warranty work, please contact:  
Bestop Inc. Customer Service  
Toll-Free: (800)845-3567  
Main: (303)465-1755  
E-mail: [csbestop@Bestop.com](mailto:csbestop@Bestop.com)  
Website: [www.Bestop.com](http://www.Bestop.com)