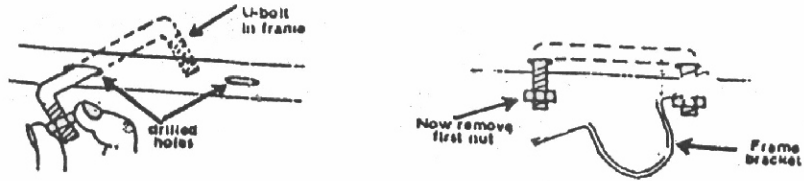
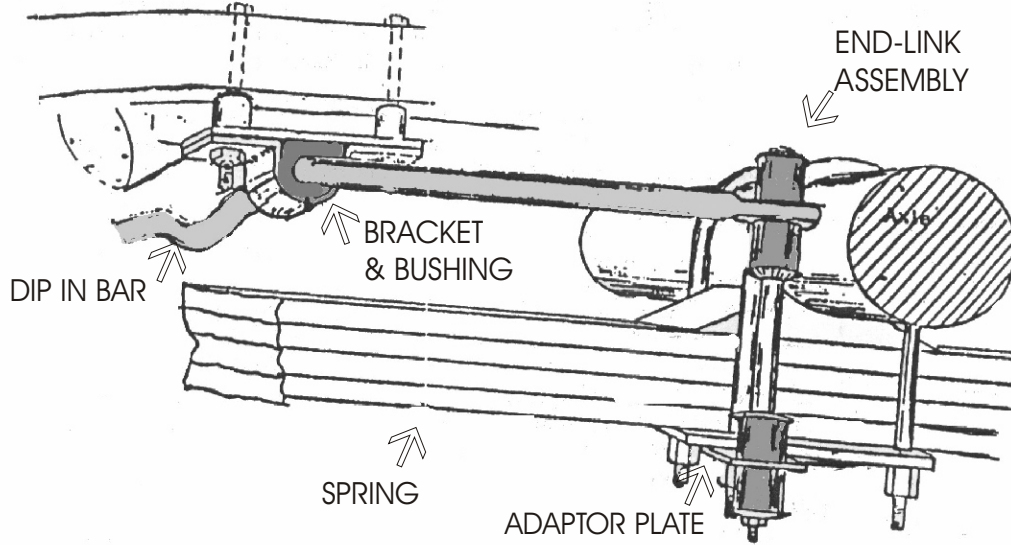


DIRECTION 107

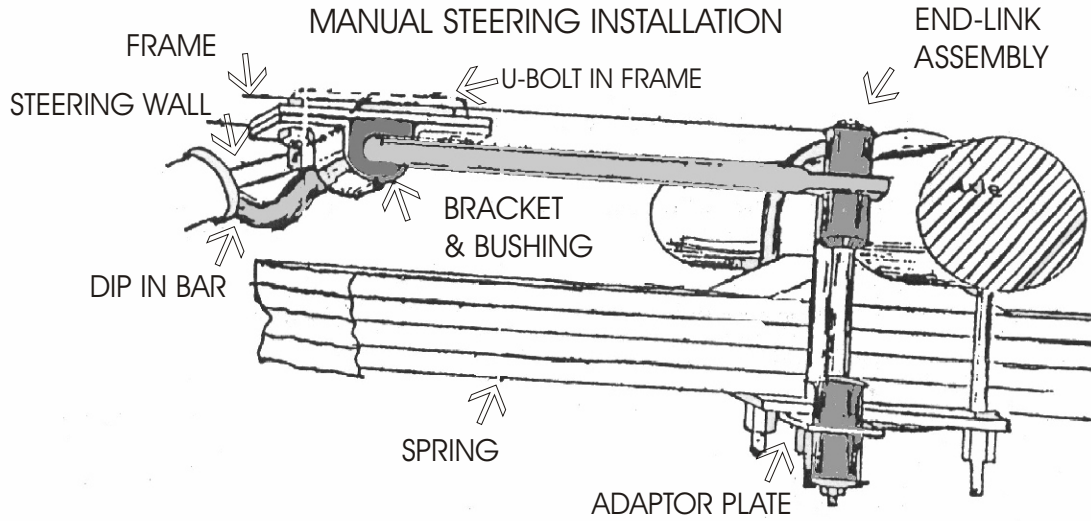
U-BOLT INSTALLATION DETAIL



POWER STEERING INSTALLATION



MANUAL STEERING INSTALLATION



DIRECTION 107

Step #1. Remove forward outboard nut from under the spring hanger saddle. Place adaptor plate on the U-bolt end and replace nut. Position so that the larger hole in the plate lies slightly forward of the other end so as to be clear of the axle, and is outboard of the hanger saddle.

Step #2. Place bar in position so that center dip is under the steering column and arms are to the rear. Assemble end-links so as to connect bar eye and large hole in the adaptor plate. Do not tighten nut on the bottom of the end-link assembly yet.

Step #3. Place rubber bushing on the bar near the shoulders, and raise bar to the frames. Adjust so that the bar ends are $\frac{1}{2}$ " from the axle and the end-links are near vertical (within 10 degrees should be ok). When the frame bracket is placed on the bar bushing, mark the frame bottom for drilling. If your Jeep has power steering, use the space tubes under the frame as illustrated. Drill up from below and through, bolt the bracket to the frame.

Step #4. Using the bracket as a template, drill two holes ($\frac{3}{8}$ " diameter) in each frame. Place a nut on the end of the U-bolt supplied and insert it into one of the holes; maneuver until it reappears from the other hole; position one end of the base plate and bracket over it and secure loosely with another nut; remove first nut and position remaining free end of the plate and tighten nuts securely. Tighten nuts on end-links until assembly is snug. If the spacer bracket was used you may want to shorten the end-link height to get good bar arm alignment (horizontal) depending on the Jeep's ride height. The tube may be cut and that portion placed on top of the assembly, or a shorten bolt may be substituted.

Step #5. Bounce front Jeep and check for clearance of bar and the steering system and turn wheels from lock to lock.

Step #6. Test drive the car and accustom yourself to its new handling. As we cannot supervise your installation or you driving, we cannot be held responsible for more than the cost of the kit.

NOTE: This kit should be used in conjunction with a rear bar, please consult our stock list.

Hardware

2 RH 016 End-links	2 RH 032 Plates
2 RH 508 Bushings	2 RH 040 Brackets
2 RH 402 U-Bolts	4 RH 304 Lock-nuts
5 RH 307 Lock-nuts	4 RH 212 Bolts
4 RH 067 Tube Spacers	2 RH 031 Plates