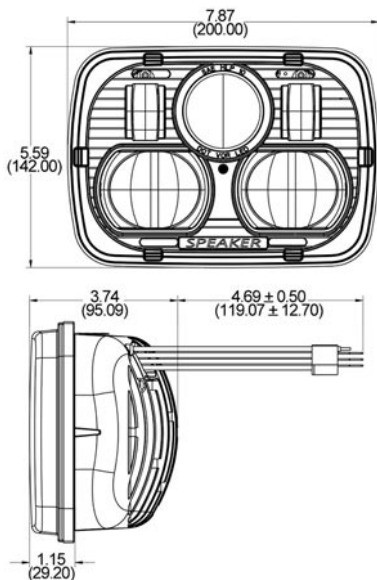




Headlights Must be Aimed After Installation!

Headlight must be securely mounted and properly aimed such that the beam pattern "cut off line" complies with all applicable regulations. If you are not familiar with the legal requirements for aiming your headlights, please see a professional service provider. We recommend that headlights are aimed with a headlight aiming system for proper alignment.

The installation of a relay is essential to obtain maximum operating efficiency of all lighting. Relays protect existing switches and wiring to prevent voltage drop that occurs due to inadequate current carrying capacity.



Dimensions in inches (mm in parentheses).
Dimensions are for reference only.

Technical Specifications

8900-12/24V

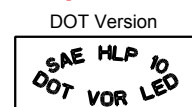
12-24V DC Input
0.600-4.300 Amps @ 12V DC
0.400-2.200 Amps @ 24V DC
10.5-32V DC Operating Voltage
Raw Lumen Output: 1,350 (Low Beam); 1,770 (High Beam)
Effective Lumen Output: 650 (Low Beam); 850 (High Beam)

Standards Compliance

FMVSS 108 Buy America Compliant CMVSS 108 ECE Reg. 7 (ECE Versions) ECE Reg. 112 (Class B - ECE Versions) Sealed to IP67



Lamp Identification



Warranty Policy

All J.W. Speaker Corporation LED products come with a Lifetime Limited Warranty against defects in materials, components and workmanship. This Lifetime Limited Warranty is not transferrable and applies to the original installation of the J.W. Speaker Corporation LED light as long as the original consumer/purchaser owns the vehicle (lifetime). Please note that this warranty does not cover claims resulting from:

- Abuse, neglect and/or accidents
- Modifications and/or alterations
- Improper installation and/or use
- Chemicals and/or cleaners
- Voltage transients and/or spikes

In the unlikely event that you experience a problem that falls within the terms of this Lifetime Limited Warranty, J.W. Speaker Corporation will, at its discretion, either replace or refund the purchase price of the product. To make a warranty claim, simply return the product (along with all of the factory-issued components) to the J.W. Speaker Corporation authorized dealer where the product was originally purchased and complete a warranty claim form.

This product warranty is exclusive. J.W. Speaker Corporation has no other liability or obligation related to products. No other warranties are made, either express or implied, including without limitation, any implied warranties of title, non-infringement, merchantability or fitness for a particular purpose.