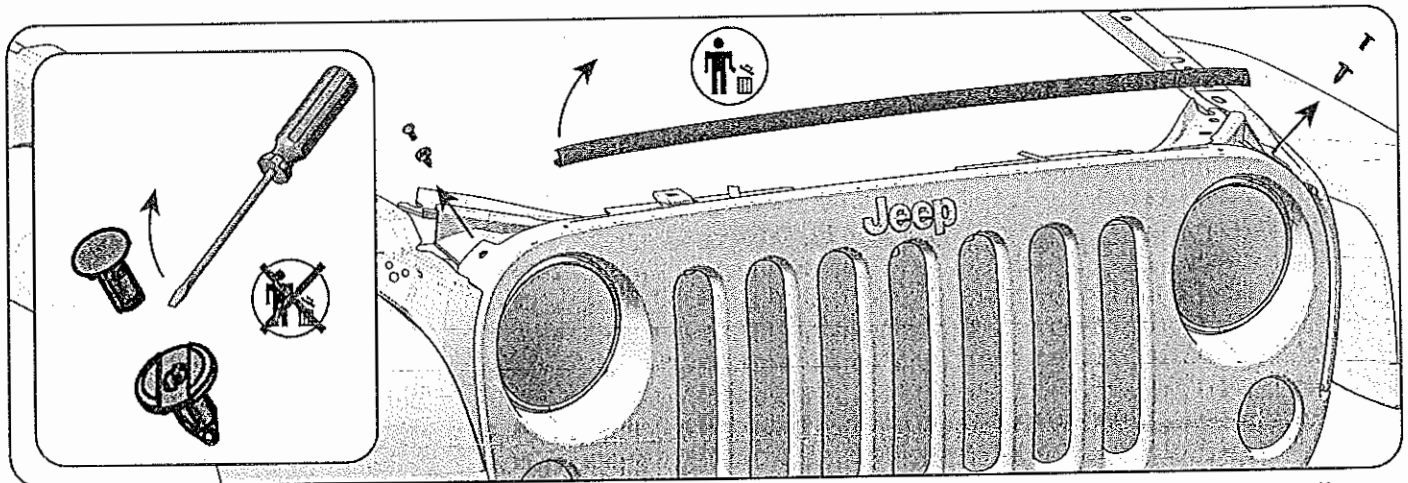


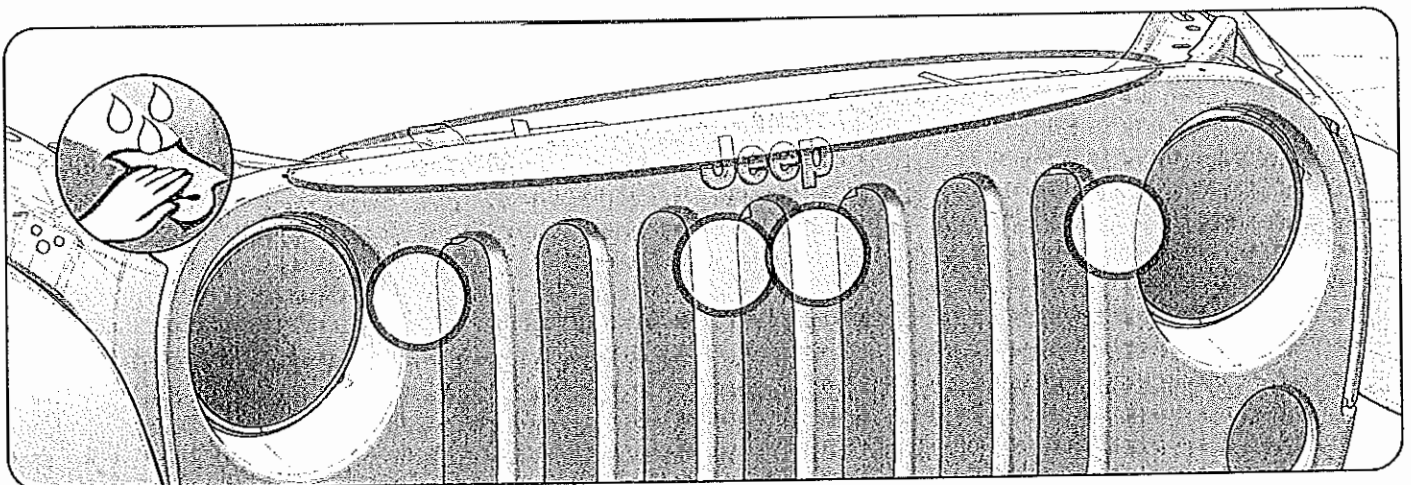


NIGHTHAWK
LIGHT BROW
Installation Guide

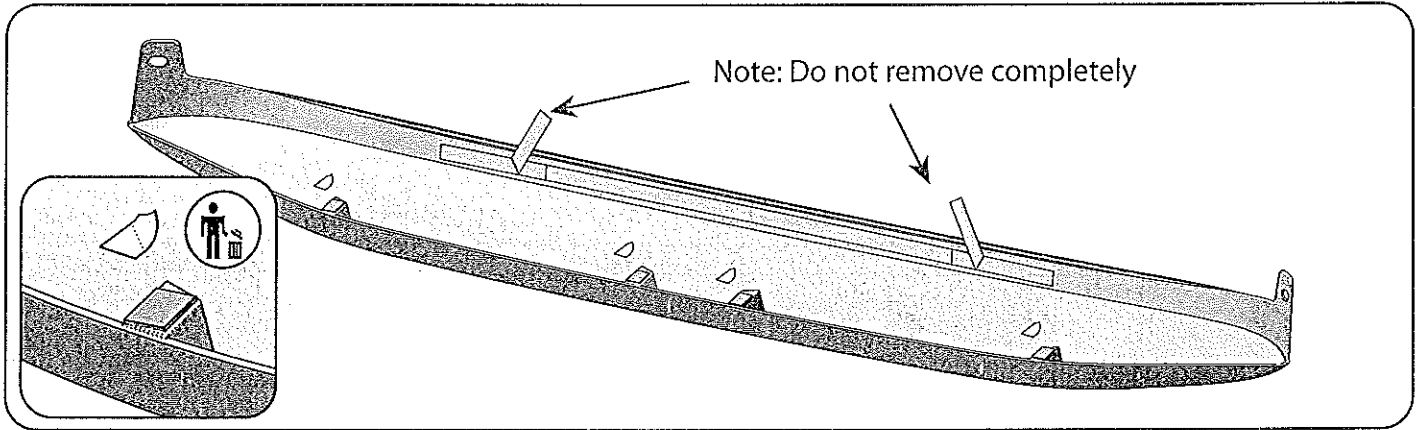
JEEP JK 2DR/4DR 2007-Current



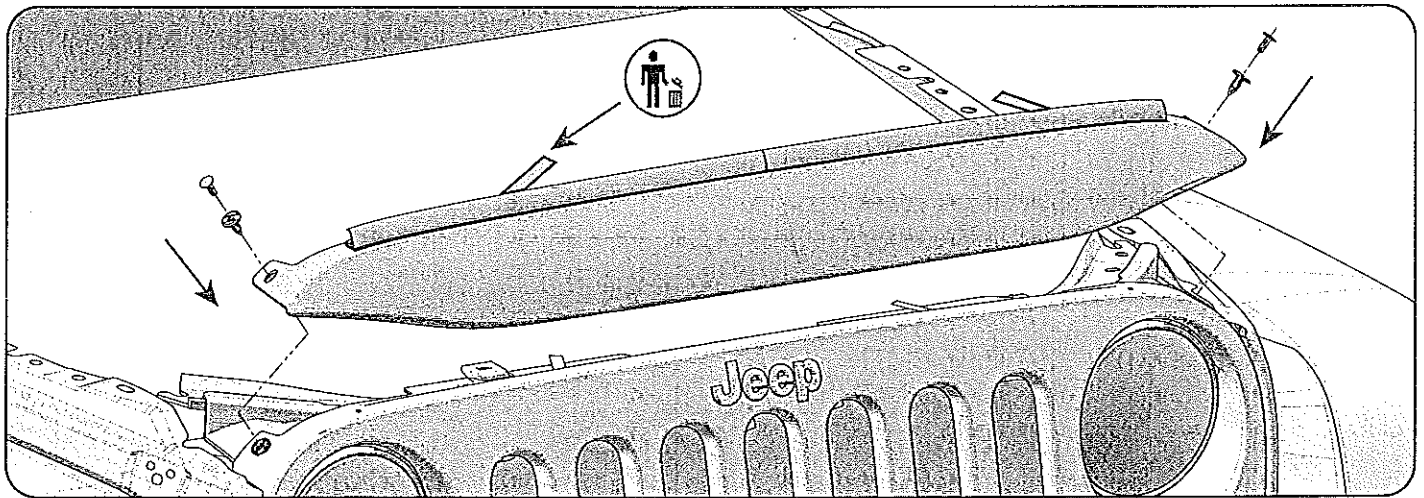
1. Using a straight blade screw driver, remove the two outer fasteners from the top of the Jeep grill. Do not discard, these will be reused. Remove the rubber gasket, some adhesive will remain on the grill, it is not necessary to remove all of the adhesive, discard the gasket.



2. Using the supplied alcohol wipe prep the surfaces indicated above, including wiping the adhesive tape left from the removal of the rubber gasket. (The new part will adhere to the left over adhesive from the rubber gasket)



3. Remove the 4 pieces of red backer material from the adhesive tabs. Pull apx 3" of the red backer material away from the adhesive strip, do not remove completely. Position the backer material as shown in the drawing above.



4. Position the light brow to the grill, hold the bottom away from face of grill until you get the mounting holes aligned. Once you are satisfied with the placement pull the red backer tape out across the top of the grill, once it is removed apply pressure across top of grill and to front of grill and reinstall the push plugs.

TERMS OF THIS WARRANTY. This warranty applies only to the original purchaser, only when purchased from an authorized UnderCover dealer and is non-transferable. Your original sales receipt will serve as proof of purchase for this warranty. This warranty only applies to the original vehicle or original installation. Before credit can be issued on a warranty claim, proof of defect may be required in the form of pictures. This will be determined at the time of claim.

NIGHTHAWK LIFETIME MATERIAL WARRANTY - UnderCover, Inc. warrants the material of your light brow to be structurally free from defects in material and workmanship for the life of the product.

NIGHTHAWK LIFETIME PAINT WARRANTY - UnderCover, Inc. warrants, for life of the product, that the exterior paint will not abnormally fade or peel, due to material or workmanship defect, faster than the original vehicle it was installed on. Products not painted at the UnderCover factory are excluded from this warranty. UnderCover does not guarantee a 100% paint match, due to variables from one vehicles paint to another, some variance is to be expected.

EXCLUSIONS OF THIS WARRANTY. Not covered under this warranty is failure due to neglect, improper installation including any modifications to the product, use in competitive racing, alterations, addition of equipment, abuse, accident, weather related damage, exposure to chemicals that are not labelled "safe for plastics", and normal wear and tear from lack of maintenance. Products not painted at the UnderCover factory are excluded from the lifetime paint warranty.

REPAIR AND REPLACEMENT. In the event that your light brow is found to be defective under the terms of this warranty, it is at the discretion of UnderCover, Inc. to repair or replace the defective part. All repairs must be made by an authorized UnderCover dealer or under direction of UnderCover, Inc. In the case of either event, UnderCover, Inc. is not responsible for any transportation costs associated with the warranted claim.

MAINTENANCE & CARE. The light brow requires only periodic cleaning with mild car wash soap. Avoid use of abrasive type cleaners as they may dull the finish. Use only cleaners and waxes that are safe for use on clear coat paint finishes.