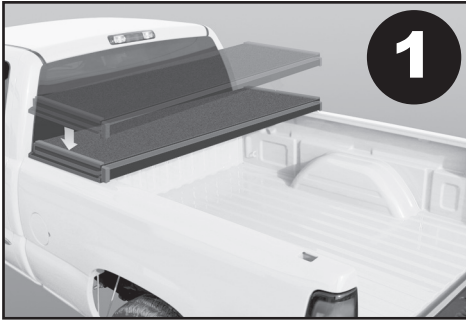




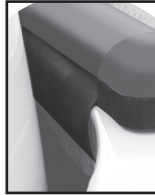
EZFOLD Hard Tonneau Installation Instructions

333 Centennial Parkway, Suite B • Louisville, CO 80027 • 1-800-845-3567

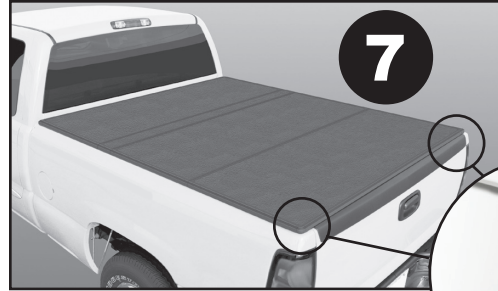


1

1. Place the cover on front of truck bed.



Place dust seal between cab and truck bed.



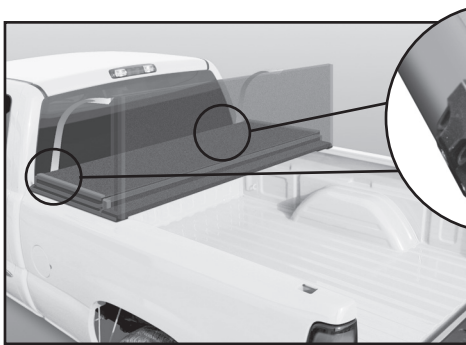
7

7. Cover is laying down flat.



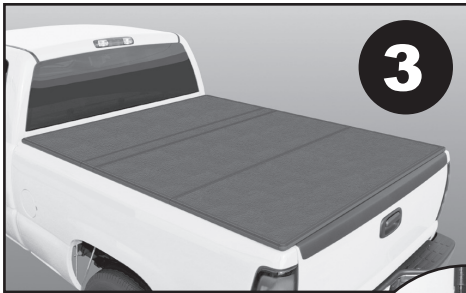
8

8a. Secure tailgate clamp hooks for a snug fit.



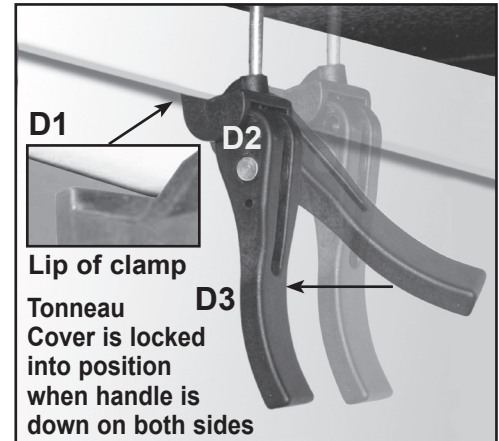
2

2. Undo both tie-down straps so cover can be unfolded.

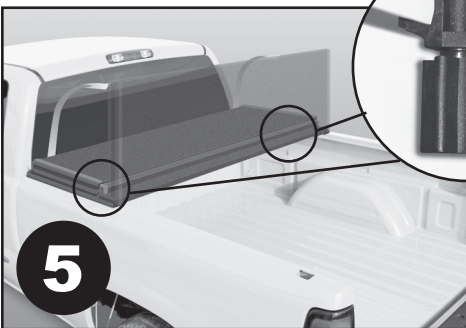


3

3. Unfold the cover all the way open to align cover on the truck bed rails before clamping.

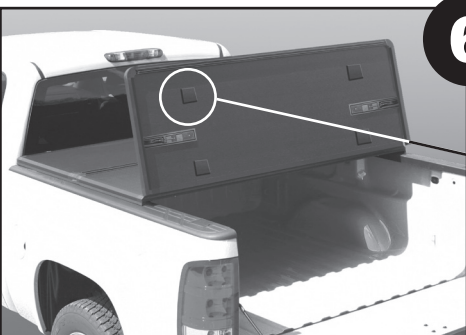


8b. To clamp cover down, put lip of clamp hooks under the side metal bed rail and push handle down. (See D1, D2, D3)



4

4. Secure cab clamp hooks under the metal bed rail. Toyota Models Only - Tighten lock nut at bottom of knob.



5

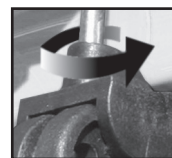
5. Unfold first section.

6

6. Unfold second section.

IMPORTANT

DO NOT remove foam blocks. They protect surface of panel when folding. Voids Warranty.

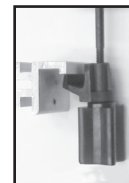


How To Adjust Clamps

- To adjust, turn clamp hook clockwise to tighten or counter clockwise to loosen.

9. Vehicles With Utility Track

- A. Slide aluminum blocks into track, position and tighten set-screw.
- B. Secure cab and tailgate clamp hooks on to aluminum blocks.



Cab



Tailgate

10. Paint Protectors

- A. Apply to inside metal bed rail at each latch location

*Patent No's.

8,348,328/8,256,824/8,511,736