





# Installation Instructions Trektop™


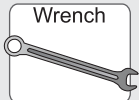



## Vehicle Application

•Jeep Wrangler (TJ)  
1997 – 2006  
Part Number: 56801

•Jeep Wrangler (TJ) Unlimited  
2004 – 2006  
Part Number: 56802

[www.Bestop.com](http://www.Bestop.com) - We're here to help! Visit our web site and click on ["Ask a Question"](#). Click here for more [Jeep Accessories by Bestop](#).

<b>INSTALLATION TIME</b>	<b>SKILL LEVEL</b>
 <b>45 Minutes</b>	 <b>2 - Moderately Easy</b>

TOOLS			
 Phillips Screwdriver #2	 Wrench 1/2" and 7/16"	 50/50 Solution Alcohol/Water	 Scissors
 Safety Glasses			

	<b>CAUTION</b>	Safety glasses should be worn at all times while installing this product.
---	----------------	---

<p><b>Installation Tips</b></p> <p>Before you begin installing this assembly, read all instructions thoroughly.</p> <p><b>For a smooth fit:</b></p> <p>For ease in installation, the product should be installed at temperatures above 72° F. Below this temperature, the fabric may contract an inch or more, making it difficult to fit to the vehicle. It is normal for fabric to contract and wrinkle when stored in the shipping carton. Within a few days after the installation, the fabric will relax and the wrinkles will disappear.</p>
--

**! WARNING** This product is designed primarily to enhance the appearance of the vehicle and to shield the occupants from ordinary weather conditions. Do not rely in any way on the components of this product to contain occupants within the vehicle, or to protect against injury or death in the event of an accident. This product will not protect the occupants from falling objects. Never operate the vehicle in excess of manufacturer's specifications.

**WEAR SEAT BELTS AT ALL TIMES**

Read and follow, precisely, all installation instructions provided when installing product. Failure to do so may result in a poor fit and could place occupants of the vehicle in a potentially dangerous situation.

# Trektop™ – Installation Instructions

## Parts List and Hardware Identification

Top Fabric	Qty - 1
Rear Window	Qty - 1
Self-Adhesive Hook Strip, 55"	Qty - 1

Header, Part Number 378.36, Qty - 1

End Cap, Part Number 401.56, Qty - 2

Door Surround - Left, Part Number 454.77, Qty - 1

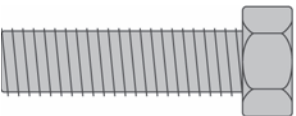

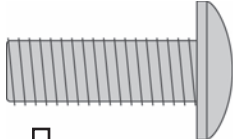


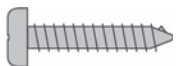

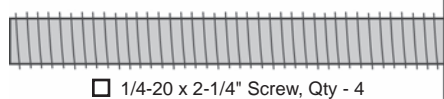
Door Surround - Right, Part Number 454.76, Qty - 1

Front Door Surround Brackets, Qty - 4, Part Number 454.66

Tension Strap, Part Number 453.82, Qty - 2

J-Hook Brackets, Qty - 2, Part Number 378.61

46" Bow, Part Number 454.75, Qty - 1

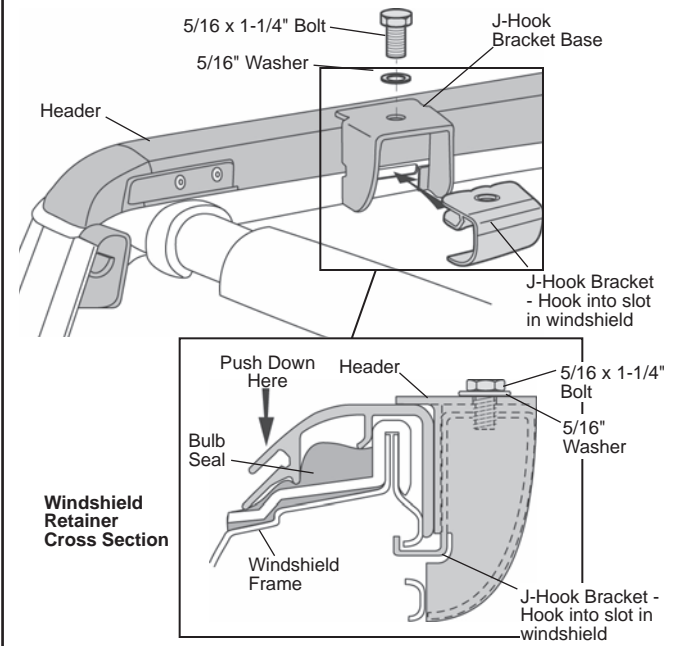
	5/16 x 1-1/4" Bolt, Qty - 2, Part Number 378.59		5/16" Flat Washer, Qty - 8, Part Number 233.04
	5/16-18 x 1" Phillips Head Bolt, Qty - 2, Part Number 236.20		5/16-18 Tapping Plate, Qty - 2, Part Number 200.50
	#10 Phillips Head Self Tapping Screw, Qty - 8, Part Number 319.99		1/4-20 x 2-1/4" Screw, Qty - 4
	1/4-20 Lock Nut, Qty - 4, Part Number 436.17		

## 1 Install Header

Place the Header assembly on top of the bulb seal along the top of the Windshield.

Locate the two J-Hook Brackets in the parts kit. Orient a bracket with the hook toward the front and the threaded insert toward the top. Slide the bracket into one of the J-Hook Bracket Bases mounted to the Windshield Retainer and catch the hook in the slot in the windshield. Insert a 5/16 x 1-1/4" Bolt and a 5/16" Washer from the top of the base into the J-Hook Bracket to secure the bracket to the base. Repeat this on the other side of the vehicle.

**NOTE** While installing the Header/J-Hook Bracket Assembly, apply firm pressure toward the front of the vehicle to make sure that the assembly is installed correctly over the bulb seal.

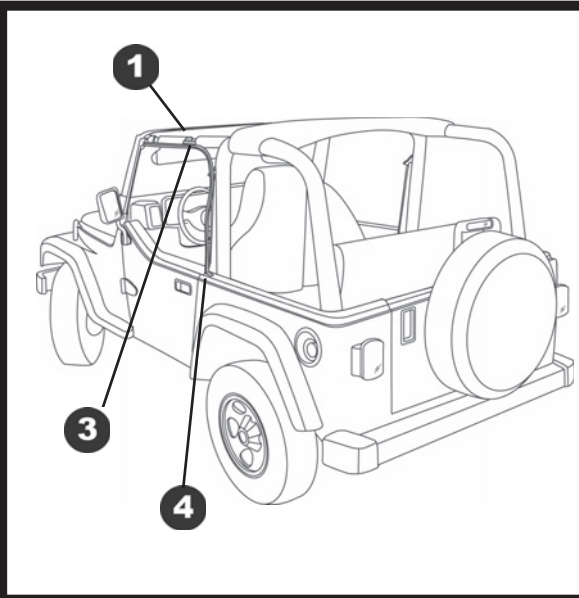
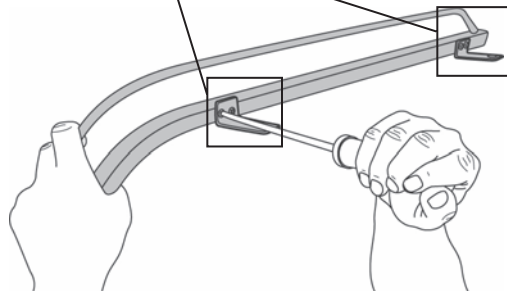
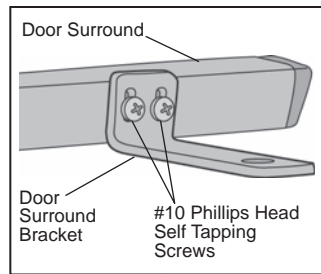


# Trektop™ – Installation Instructions

## 2 Install Door Surround Brackets on Door Surrounds

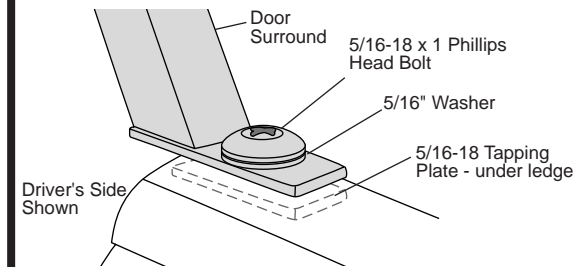
Locate the Left and Right Door Surrounds and the Left and Right Door Surround Brackets in the parts kit.

Orient the Door Surround Brackets with the long tab toward the inside. Install the brackets on the Door Surrounds using two #10 Phillips Head Self Tapping Screws for each bracket.



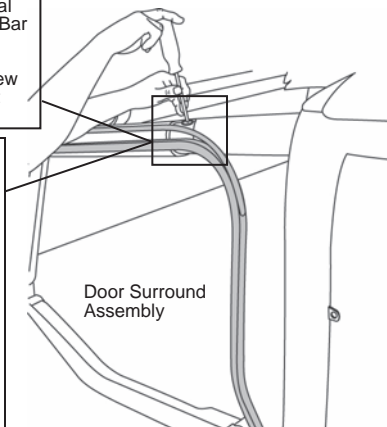
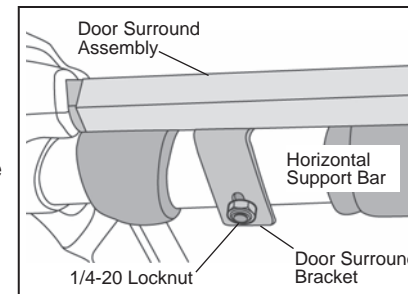
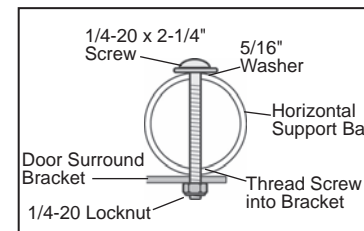
## 4 Install Door Surround Assemblies

Secure the bottom of the Door Surround to the vehicle using a 5/16-18 x 1 Phillips Head Bolt, a 5/16" Washer and a 5/16-18 Tapping Plate. Place the Tapping Plate under the ledge, aligning the hole in the plate with the hole in the vehicle and install the screw and washer from the top. Test the door seal again and adjust the bottom of the Door Surround if necessary for a good seal.



## 3 Install Door Surround Assemblies

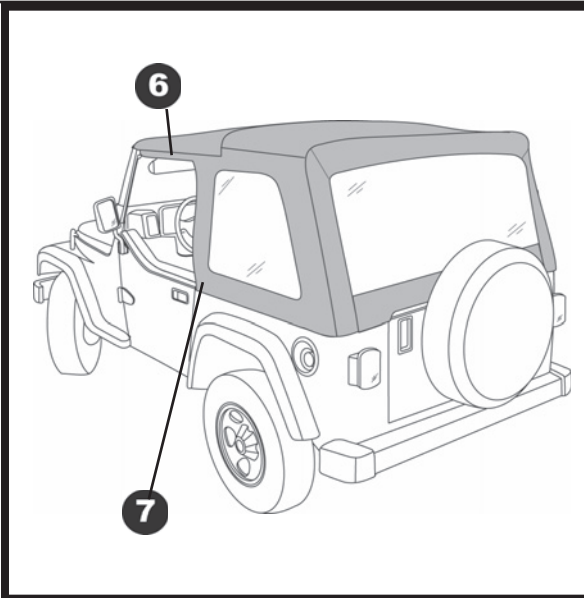
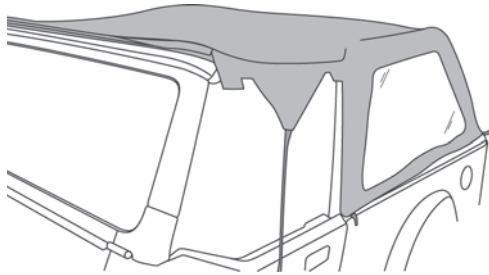
Orient the Left and Right Door Surround Assemblies on the vehicle with the brackets toward the inside. Align the slot in the bracket with the hole in the bottom of the Horizontal Support Bar. Install a 1/4-20 x 2-1/4" Screw with a 5/16" Washer through the top of the Horizontal Support Bar into the Door Surround Bracket. Install a 1/4-20 Locknut on the screw. Close the door to check the seal and adjust the bracket if necessary for a good seal. Repeat on the other side of the vehicle.



# Trektop™ – Installation Instructions

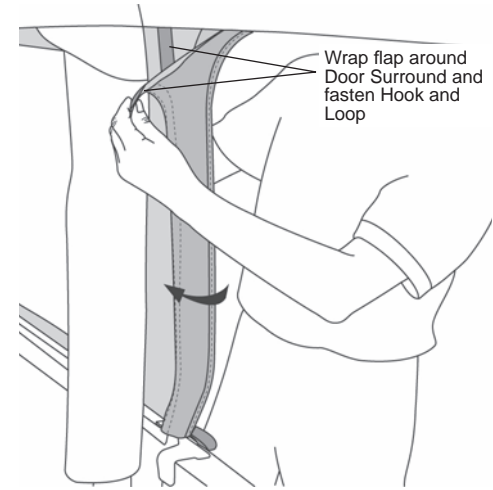
## 5 Drape Top Fabric over vehicle

Drape the top fabric over the speaker pod and sport bar. Pull the quarter windows over the sides of the sport bar.



## 7 Wrap Flaps around Door Surrounds

Wrap the flaps around the rear leg of the Door Surround and fasten the hook and loop strips. Repeat on both sides of the vehicle.

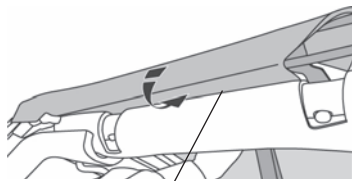


Wrap flap around Door Surround and fasten Hook and Loop

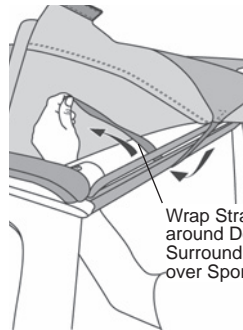
View from inside vehicle

## 6 Secure Center Deck Strap

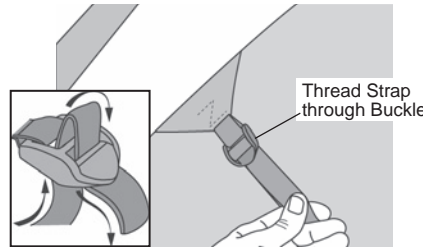
Wrap the flap around the Door Surround and tuck it between the surround and the sport bar on each side of the vehicle. Pull the strap across the vehicle and thread it through the buckle on the opposite side. Leave the strap loose.



Wrap Flap around Door Surround and Tuck between Surround and Sport Bar



Wrap Strap around Door Surround and over Sport Bar



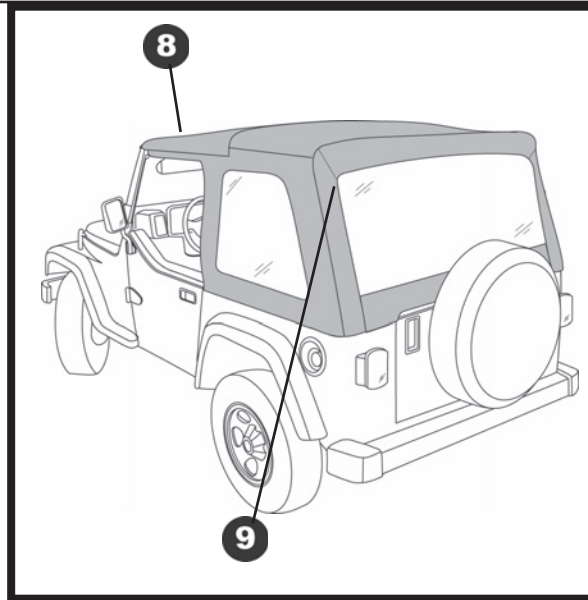
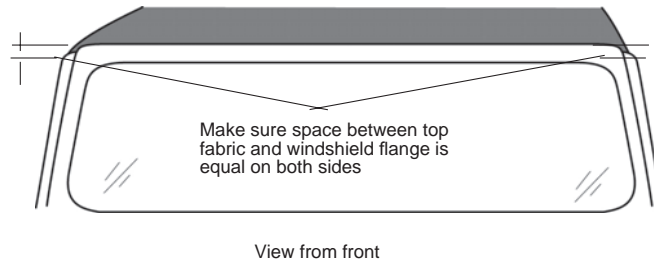
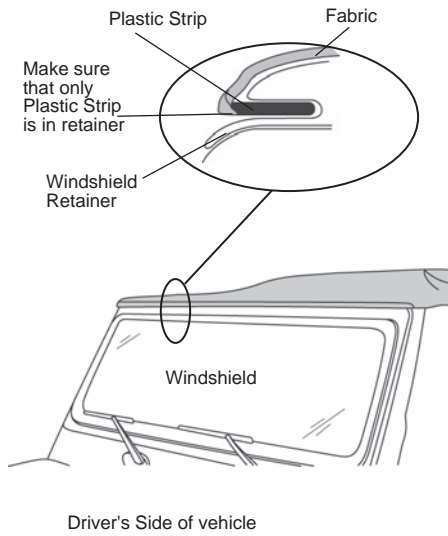
Thread Strap through Buckle

# Trektop™ – Installation Instructions

## 8 Install Top in Windshield Retainer

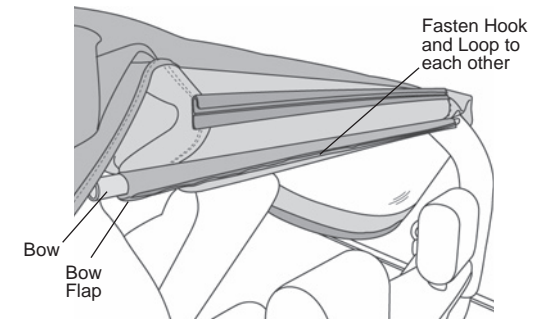
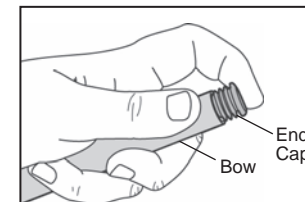
Locate the top and orient it on the vehicle. Drape the top over the bows and insert the plastic strip sewn along the front of the top into the windshield retainer. Do not catch the fabric in the retainer. Center the front of the deck on the vehicle so that it is an equal distance from the top of the windshield flange on both sides.

**NOTE** For best possible installation, check to make sure that the soft top is perfectly centered on the vehicle.



## 9 Install Bow

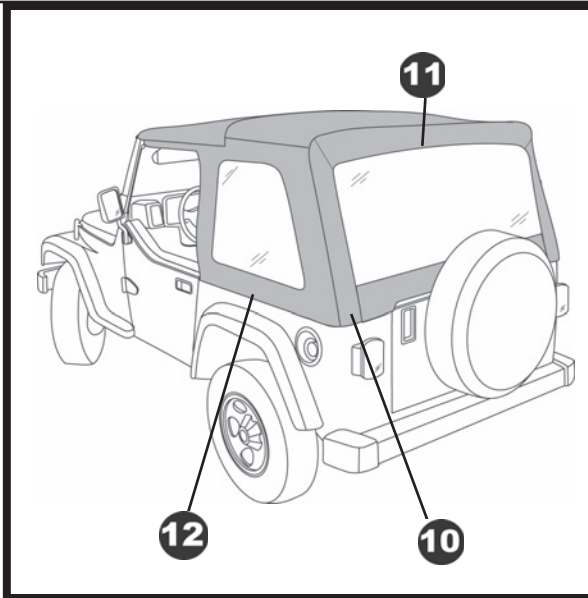
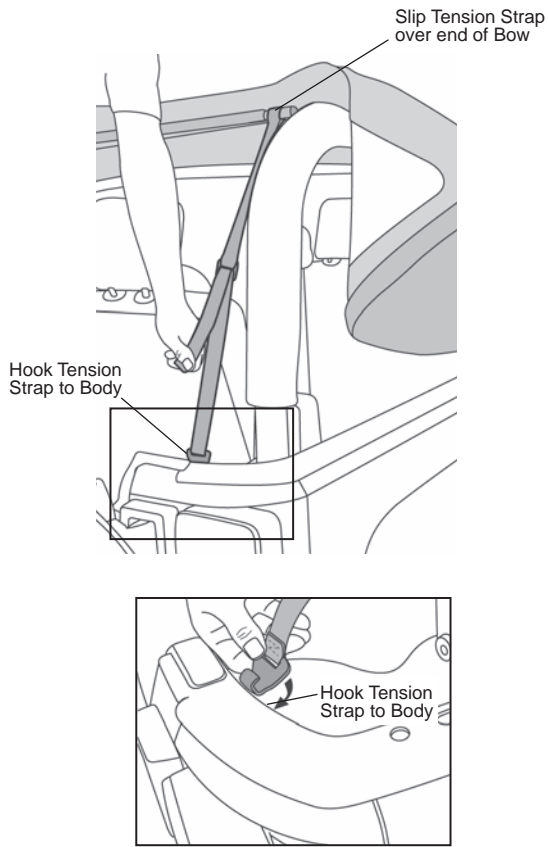
Push an End Cap into each end of the Bow. Center the Bow in the bow flaps. Wrap the flaps around the bow tube and fasten the hook and loop strips to each other.



# Trektop™ – Installation Instructions

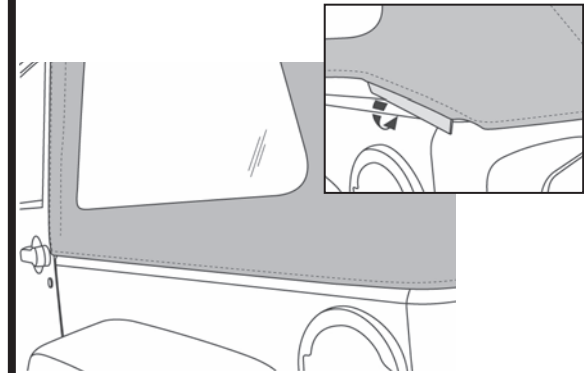
## 10 Install Tension Strap

Slide a Tension Strap on to each end of the Bow. Hook the end of the strap to the ledge along the rear of the vehicle. Pull the strap tight.



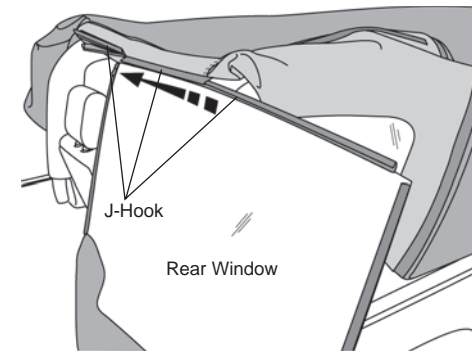
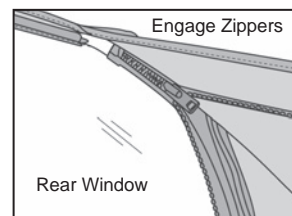
## 12 Secure Quarter Windows

Start from the front and slip plastic retainer strips along the bottom of the quarter windows into the channel on the vehicle.



## 11 Install Rear Window

Orient the Rear Window with the plastic J-Hook toward the top. Align the J-Hook on the top of the window with the J-Hook sewn into the top above the rear window opening. Slide them together until the rear window is centered in the opening. Engage the zippers on each side of the window, but do not close them yet.



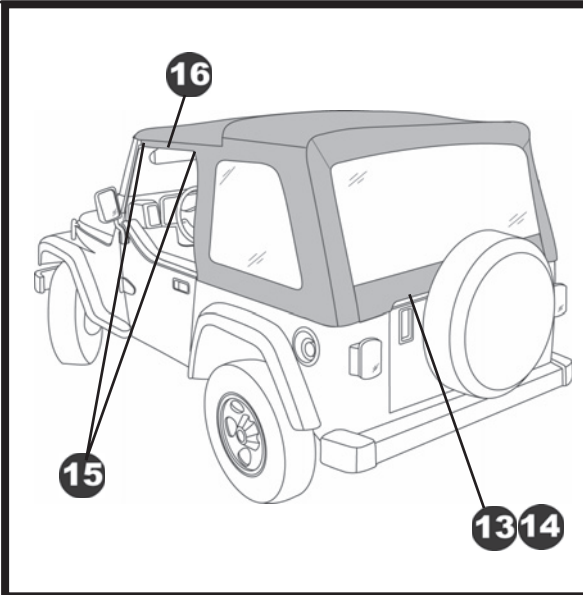
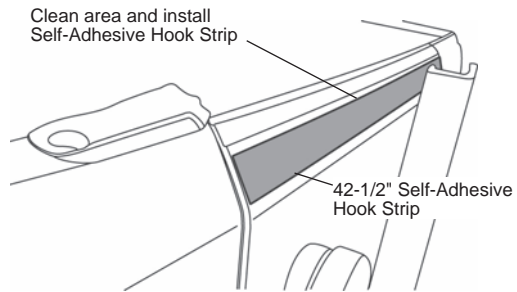
# Trektop™ – Installation Instructions

## 13 Install Self-Adhesive Hook

Cut the Self-Adhesive Hook Strip to fit the top of the tailgate.

Clean the surface along the top of the tailgate with 50% alcohol / water solution.

Remove the backing tape a little at a time and press the adhesive hook firmly into place.

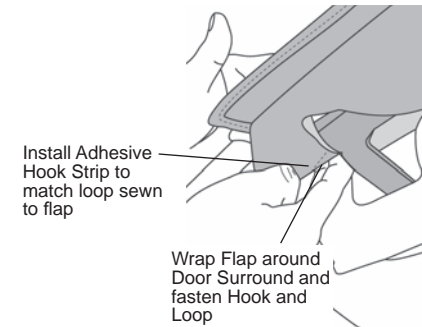


## 16 Secure Tabs

Cut the Self-Adhesive Hook Strip to fit the inboard side of the Door Surrounds behind each door opening tab. Clean the area with a 50% alcohol / water solution. Remove the backing tape from the Hook Strip and press it firmly into place.

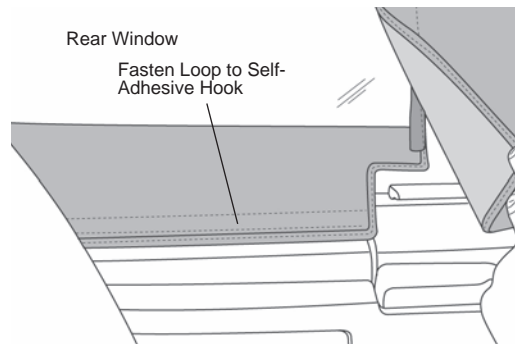
Wrap the tabs at the front and rear of the door opening around the Door Surrounds and fasten the hook and loop strip

**NOTE** Allow 72 hours for the adhesive to set. Avoid unnecessary fastening and unfastening during this period.



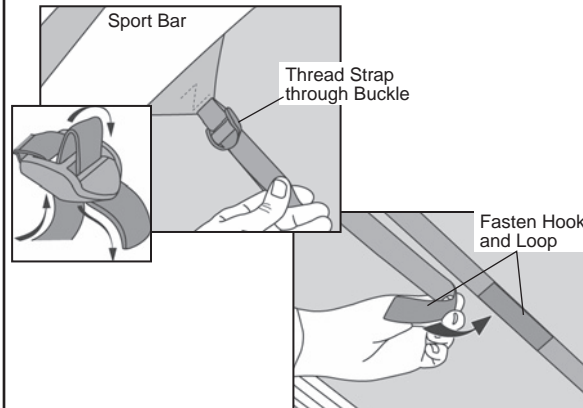
## 14 Secure Rear Window

Close the zippers on the Rear Window. Fasten the loop strip sewn to the bottom of the Rear Window to the Self-Adhesive Hook installed in Step 13.



## 15 Secure Center Deck Strap

Pull the center Strap tight and fasten the loop on the end of the strap to the hook in the center of the strap.



# Trektop™ – Installation Instructions

## Care and Maintenance of your Bestop Product

Your Bestop product is made of the finest materials available. To keep it looking new and for the maximum possible wear, it will need periodic cleaning and maintenance.

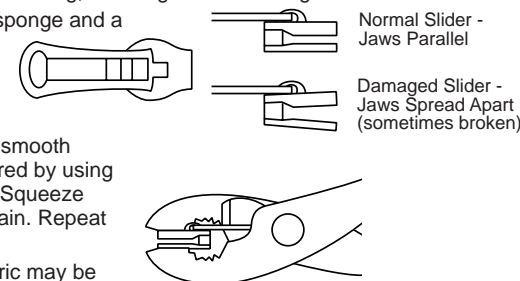
**Washing:** The fabric should be washed often using soap, warm water and a soft bristle brush. Rinse with clear water to remove all traces of soap or use Bestop-recommended Bestop Cleaner and Bestop Protectant. Bestop Cleaner and Bestop Protectant are specially formulated to provide a total cleaning and protection system. Bestop Cleaner will not harm vehicle finish, is biodegradable and environmentally friendly. Bestop Protectant protects against UV-fading, cracking and hardening.

**Windows:** Keep windows clean to avoid scratching. DO NOT use a brush on the windows! Wash with a water-soaked cloth or sponge and a mild dishwashing detergent or use Bestop-recommended Bestop Vinyl Window Cleaner, which safely cleans and protects vinyl windows while helping prevent UV damage. NEVER WIPE THE WINDOWS WHEN THEY ARE DRY. Be careful when cleaning snow or frost from the vinyl windows since they are easily scratched and may crack at low temperatures. DO NOT roll the sides or rear window in cold weather. The windows become stiff and will crack.

**Zippers:** Keeping the zipper cleaned and lubricated with a silicone lubricant will help prevent damage and keep the zippers in a smooth working condition. If a zipper opens behind the slider, the slider may have been spread apart. This problem can usually be repaired by using an ordinary pair of pliers to bring the sides back into parallel. Return slider to the end of the zipper in the normal Open position. Squeeze lightly at first and test the zipper. If the zipper continues to remain open squeeze more firmly with the pliers and try the zipper again. Repeat this procedure until the zipper operates correctly.

**Water:** Seeping through at the seams may be stopped by applying 3-M Scotchgard® on the inside of the seams. Rips in the fabric may be repaired with Bondex® iron on patches. Iron the patches to the Inside of the top, carefully following the Bondex® instructions.

**Snaps:** Keep snaps cleaned and lubricated with silicone to help prevent snaps from sticking to the studs. If a snap does become stuck to a stud, use a screwdriver and GENTLY pry apart to prevent permanent damage to the snap or the top fabric.



## LIMITED WARRANTY

We warrant our product to be free from defects in material and workmanship, for the terms specified below, provided there has been normal use and proper maintenance. This warranty applies to the original purchaser only. All remedies under this warranty are limited to the repair or replacement of any item or items found by the factory to be defective within the time period specified. If you have a warranty claim, first you must call our factory at the number below for instructions. You must retain proof of purchase and submit a copy with any items returned for warranty work. Upon completion of warranty work, if any, we will return the repaired or replaced item or items to you freight prepaid. Damage to our products caused by accidents, fire, vandalism, negligence, misinstallation, misuse, Acts of God, or by defective parts not manufactured by us, is not covered under this warranty.

THE WARRANTY TIME PERIOD IS AS FOLLOWS FOR REPLACE-A-TOP™, SAILCLOTH REPLACE-A-TOP™, SUPERTOP®, SUPERTOP® REPLACEMENT SKINS, SUNRIDER®, AND TIGERTOP®: TWO YEARS FROM DATE OF PURCHASE.

THE WARRANTY TIME PERIOD IS AS FOLLOWS FOR ALL OTHER "SOFT GOODS" MANUFACTURED BY OUR COMPANY (USING PRIMARILY VINYL, PLASTICS, AND/OR FOAM): ONE YEAR FROM DATE OF PURCHASE.

THE WARRANTY TIME PERIOD IS AS FOLLOWS FOR ALL OTHER "HARD GOODS" MANUFACTURED BY OUR COMPANY (USING PRIMARILY METALS, PLASTICS, AND/OR FIBERGLASS): ONE YEAR FROM DATE OF PURCHASE.

ANY IMPLIED WARRANTIES OF MERCHANTABILITY AND/OR FITNESS FOR A PARTICULAR PURPOSE CREATED HEREBY ARE LIMITED IN DURATION TO THE SAME DURATION AND SCOPE AS THE EXPRESS WRITTEN WARRANTY. OUR COMPANY SHALL NOT BE LIABLE FOR ANY INCIDENTAL OR CONSEQUENTIAL DAMAGE.

Some states do not allow limitations on how long an implied warranty lasts, or the exclusion or limitation of incidental or consequential damages, so the above limitations or exclusions may not apply to you. This warranty gives you specific legal rights, and you may also have other rights which vary from state to state.



For further information or request for warranty work, please contact:

Bestop Inc., Customer Service  
Toll-Free: (800)845-3567  
Main: (303)465-1755  
E-mail: [csbestop@Bestop.com](mailto:csbestop@Bestop.com)  
Website: [www.Bestop.com](http://www.Bestop.com)