



AUTOMOTIVE PRODUCTS,

INSTALLATION INSTRUCTIONS

PRO TRAXX 4 OVAL TUBE STEP BARS

APPLICATION:

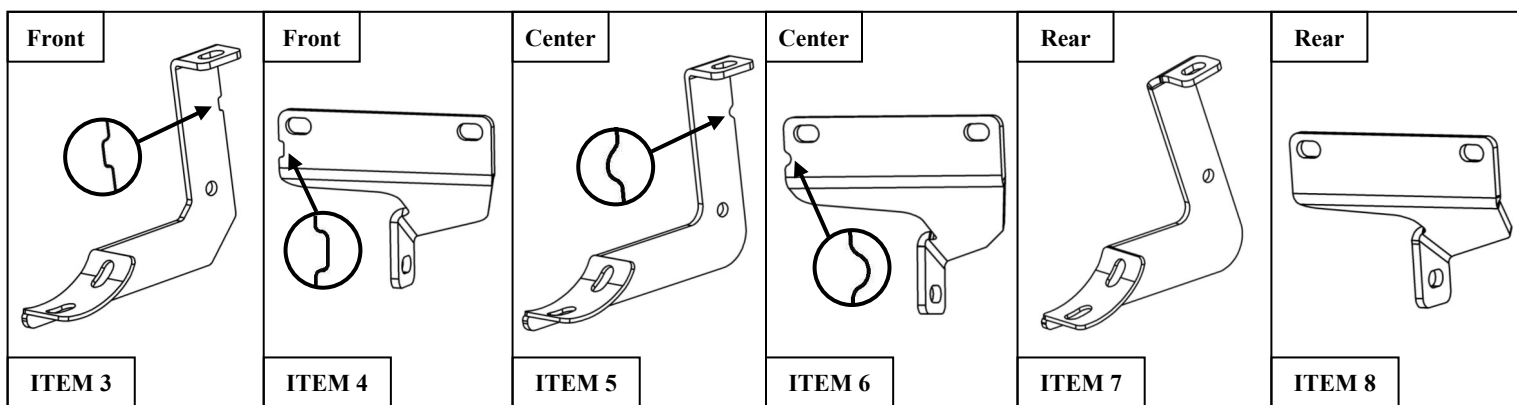
2007-2017 Jeep Wrangler 4-Door

PART NUMBER:

21-23290, 21-23295

ITEM	QUANTITY	DESCRIPTION	TOOLS NEEDED
1,2	2	STEP BARS, DRIVER(1) AND PASSENGER(2)	16MM SOCKET
3	2	FRONT MOUNTING BRACKET	16MM WRENCH
4	2	FRONT SUPPORT BRACKET	5MM HEX DRIVER/ ALLEN KEY
5	2	CENTER MOUNTING BRACKET	
6	2	CENTER SUPPORT BRACKET	13MM SOCKET
7	2	REAR MOUNTING BRACKET	13MM WRENCH
8	2	REAR SUPPORT BRACKET	POWER DRILL
9	18	M8 HEX CAP SCREW (BLACK ZINC)	5/16" -3 /8" DRILL BIT
10	36	M8 FLAT WASHER (BLACK ZINC)	RATCHET
11	18	M8 SPLIT LOCK WASHER (BLACK ZINC)	TORQUE WRENCH
12	18	M8 HEX NUT (BLACK ZINC)	
13	12	M10 HEX SOCKET BUTTON HEAD SCREW (BLACK ZINC)	
14	18	M10 FLAT WASHER (BLACK ZINC)	
15	12	M10 INTERNAL TOOTHED LOCK WASHER (BLACK ZINC)	
16	6	M10 HEX CAP SCREW (BLACK ZINC)	
17	6	M10 SPLIT LOCK WASHER (BLACK ZINC)	
18	6	M10 NUT PLATE	

ANTI-SEIZE LUBRICANT MUST BE USED ON ALL STAINLESS STEEL FASTENERS TO PREVENT THREAD DAMAGE AND GALLING

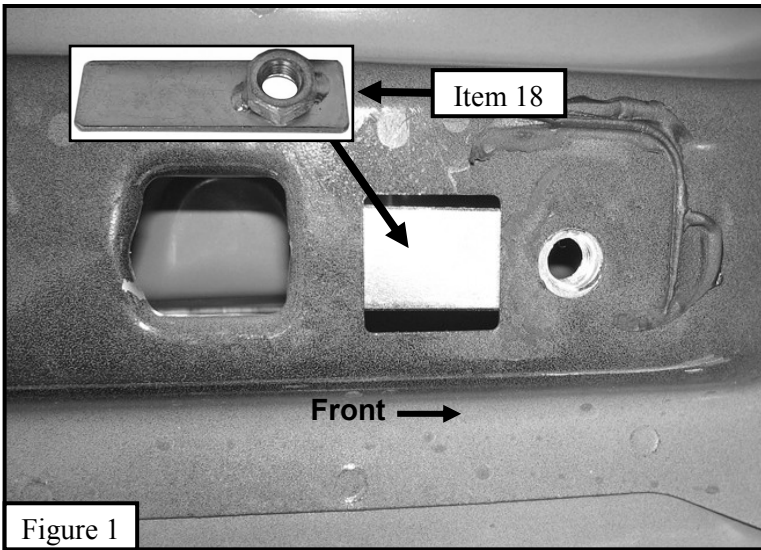


PROCEDURE

1. Remove contents from box, verify if all parts listed are present and free from damage.
Carefully read and understand all instructions before attempting installation.
Failure to identify damage before installation could lead to a rejection of any claim.



Westin Automotive Products, Inc.
320 W. Covina Blvd
San Dimas, Ca. 91773



- Starting at the front driver side mounting location. The bottom rocker mounting hole may be covered by black tape. After removal, insert M10 nut plate through the square hole. Some vehicles may already be equipped with a threaded hole. See **Figure 1**.



- Attach the driver front mounting bracket to the vehicle underbody using (1) M10 hex cap screw, (1) M10 split lock washer, and (1) M10 flat washer. See **Figure 2**.
- Attach the driver side front support bracket to the pinch weld of the vehicle using (2) M8 hex cap screws, (4) M8 flat washers, (2) M8 split lock washers, and (2) M8 hex nuts. One more holes located on the pinch weld may have to be enlarged using a 5/16"-3/8" drill bit. See **Figure 2**.
- Secure the support bracket to the main mounting bracket using (1) M8 hex cap screw, (2) M8 flat washers, (1) M8 split lock washer, and (1) M8 hex nut. See **Figure 2**. *Do not fully tighten mounting & support brackets at this time.*

- Repeat **Steps 3-5** for the driver center and rear mounting bracket and support bracket. See **Figure 3**. *Do not fully tighten at this time.*



Westin Automotive Products, Inc.
320 W. Covina Blvd
San Dimas, Ca. 91773

Thank you for choosing Westin products
for additional installation assistance please call
Customer Service (800) 793-7846

7. At this time attach the driver side step bar to the driver side mounting brackets using (6) M10 hex socket button head screws, (6) M10 internal toothed lock washers, and (6) M10 flat washers. See **Figure 4**.
8. Align all mounting brackets and step bar as desired. Tighten all M8 fasteners to 15-18 ft-lbs., M10 hex cap screws to 30 ft-lbs, and M10 button head screws to 18 ft-lbs.
9. Repeat **Steps 2-8** for passenger side components.

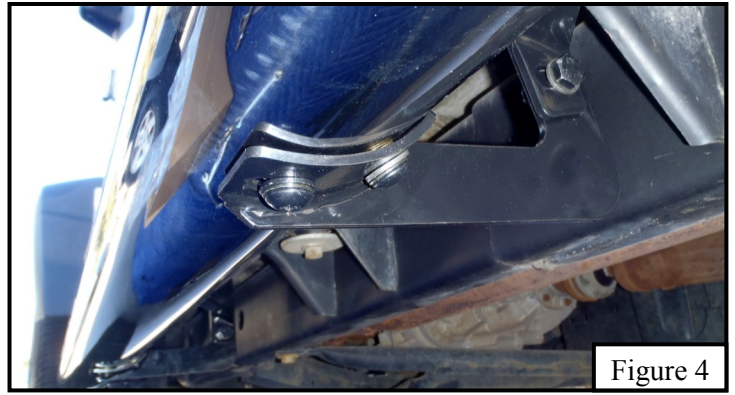
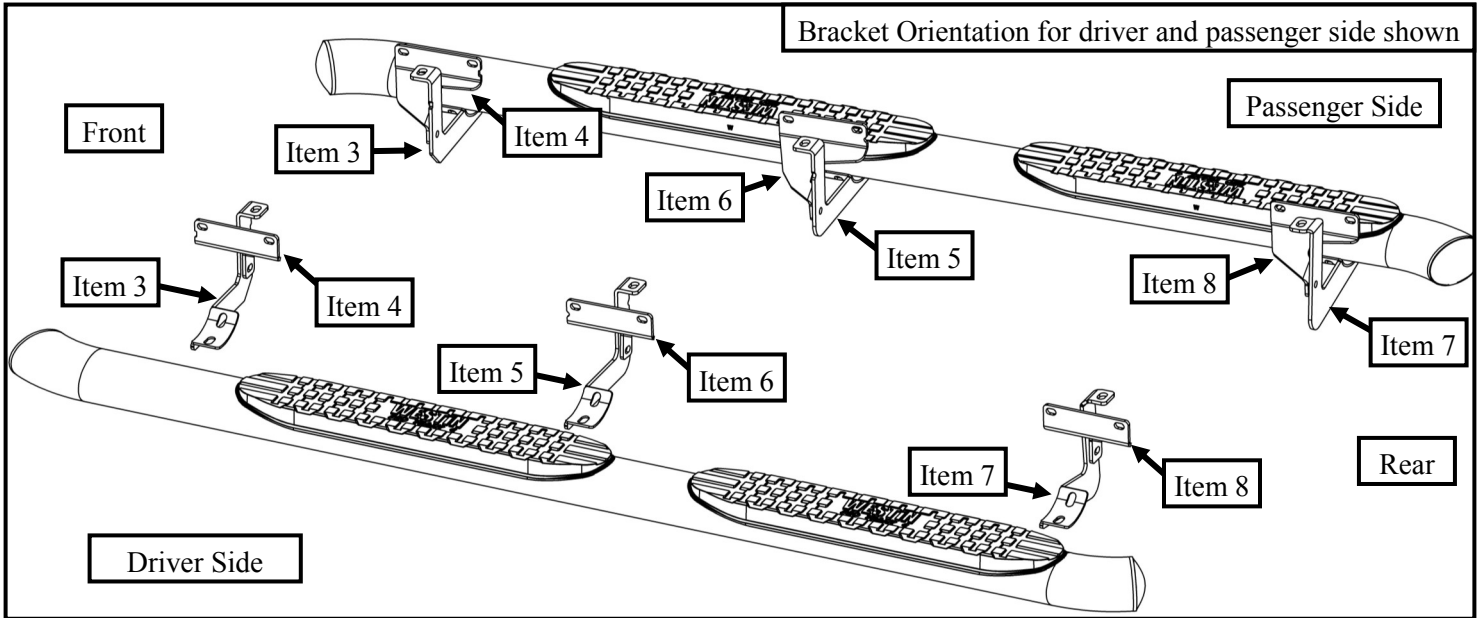


Figure 4



Care Instructions

- REGULAR WAXING IS RECOMMENDED. DO NOT USE ANY TYPE OF POLISH OR WAX THAT MAY CONTAIN ABRASIVES.
- STAINLESS STEEL PRODUCTS CAN BE CLEANED WITH MILD SOAP AND WATER. STAINLESS STEEL POLISH SHOULD BE USED TO POLISH SMALL SCRATCHES.
- GLOSS BLACK FINISHES SHOULD BE CLEANED WITH MILD SOAP AND WATER.



Westin Automotive Products, Inc.
320 W. Covina Blvd
San Dimas, Ca. 91773

Westin

SIGNATURE OF QUALITY

AUTOMOTIVE PRODUCTS, INC.



WARNING



Failure to follow these instructions could lead to death, personal injury, and / or property damage.

FASTENERS:

All Westin supplied fasteners must be utilized and installed in accordance with the installation instructions and apply torque to the specifications as defined. **DOUBLE CHECK ALL FASTENERS BEFORE INITIAL USE, AND PERIODICALLY IN THE FUTURE TO ENSURE PROPER FUNCTION AND SAFETY.**

DRILLING:

Most Westin products do not require drilling for installation. If drilling is defined as required, use caution when drilling a vehicle. **FAILURE TO REVIEW AN AREA TO BE DRILLED MAY RESULT IN PERSONAL INJURY AND/OR INJURY TO OTHERS AS WELL AS VEHICLE DAMAGE.**

EYE PROTECTION:

ALWAYS WEAR SAFETY GLASSES OR GOGGLES DURING THE INSTALLATION PROCESS TO AVOID PERSONAL INJURY.

MAXIMUM TOWING/CARRYING CAPACITY:

The Westin Receiver Hitches will have a visible tow rating label affixed directly on the product. User should never exceed the vehicle manufacturers maximum tow and weight rating regardless of the capacity of the hitch. **FAILURE TO FOLLOW THESE GUIDELINES WILL VOID THE WESTIN WARRANTY AND MAY RESULT IN PERSONAL INJURY AND/OR INJURY TO OTHERS AS WELL AS VEHICLE DAMAGE.**

Westin
SIGNATURE OF QUALITY

Westin Automotive Products, Inc.
320 W. Covina Blvd
San Dimas, Ca. 91773